



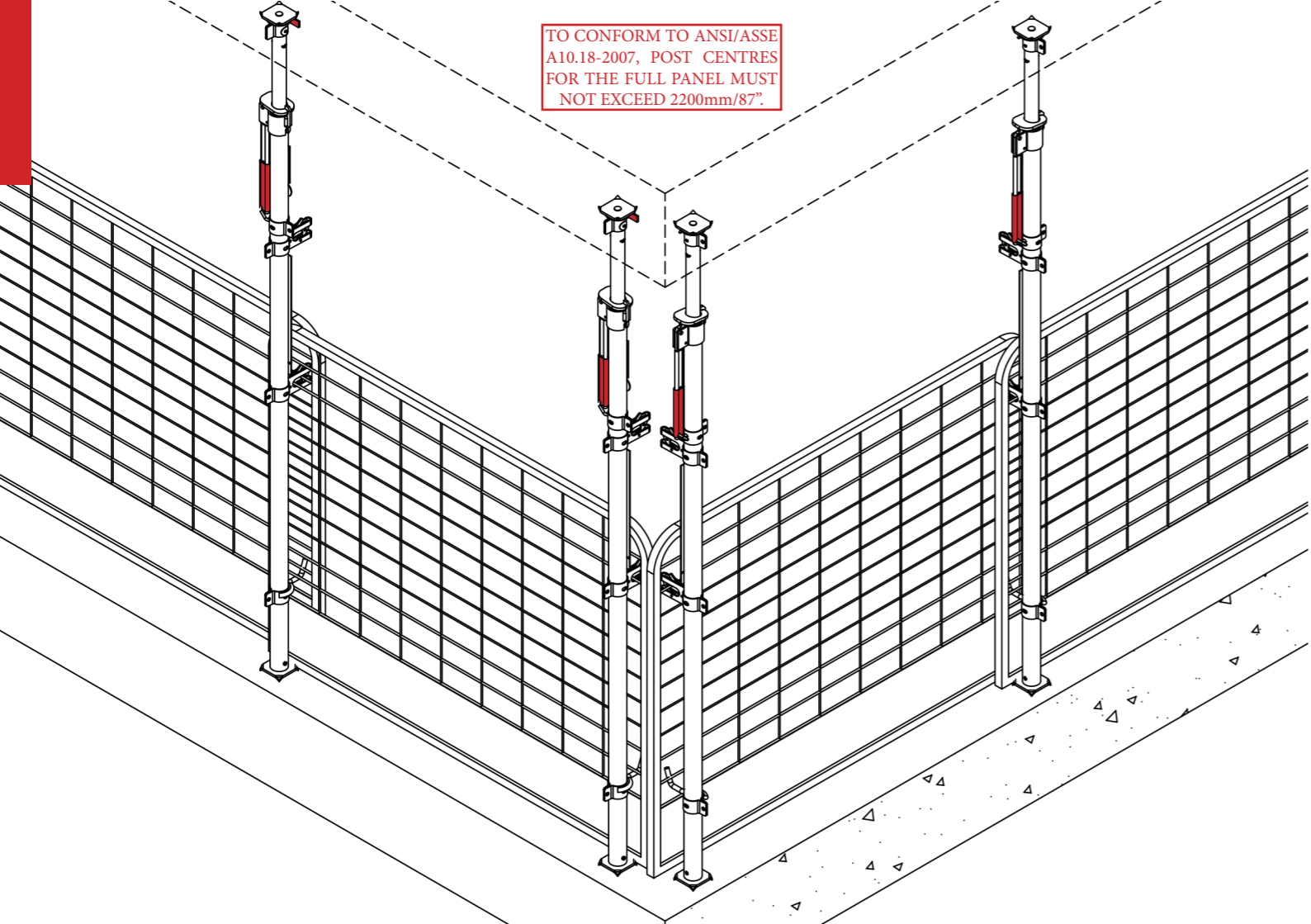
RAPID-EPS®

TOTAL EDGE PROTECTION WITH EASE

PRODUCT INSTALLATION GUIDE



TO CONFORM TO ANSI/ASSE
A10.18-2007, POST CENTRES
FOR THE FULL PANEL MUST
NOT EXCEED 2200mm/87".



RAPID POST & RAPID POST EXTRA

RAPID POST - 12KG / 26.5LBS

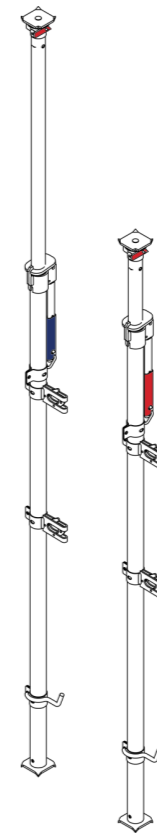
RAPID POST EXTRA - 19KG / 42LBS

RAPID POST CLOSED HEIGHT 2M

RAPID POST MAX. EXT HEIGHT 3.4M

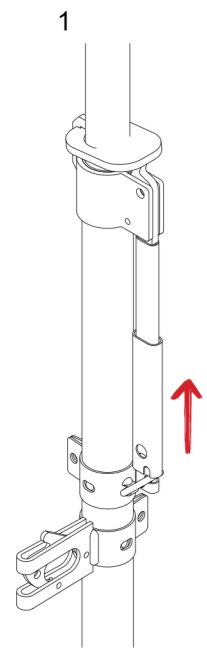
RAPID POST EXTRA CLOSED HEIGHT 2.9M

RAPID POST EXTRA MAX. EXT HEIGHT 4.3M

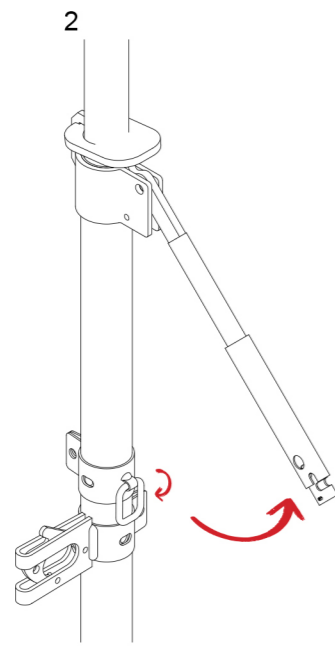


RAPID POST - EU001 / NA001 | RAPID POST EXTRA - EU002 / NA002

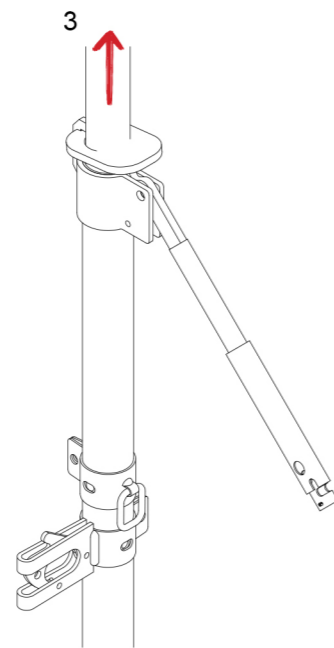
IMPORTANT: DISASSEMBLY PROCESS MUST FOLLOW THE INSTRUCTIONS IN REVERSE ORDER. IMPROPER INSTALLATION OR REMOVAL COULD RESULT IN SERIOUS INJURY OR DEATH.



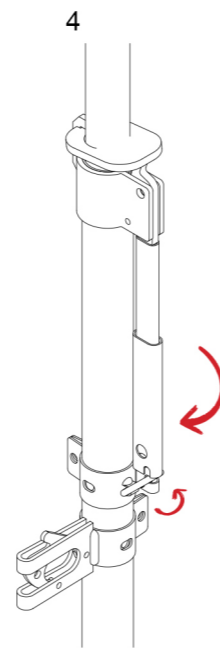
1. Slide safety latch on handle up.



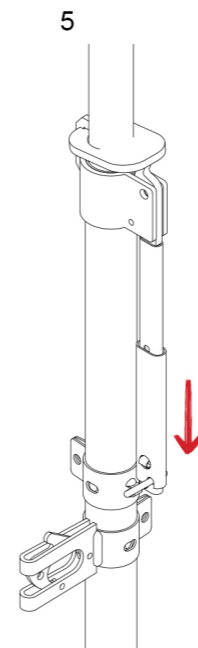
2. Release locking ring and lift handle upwards.



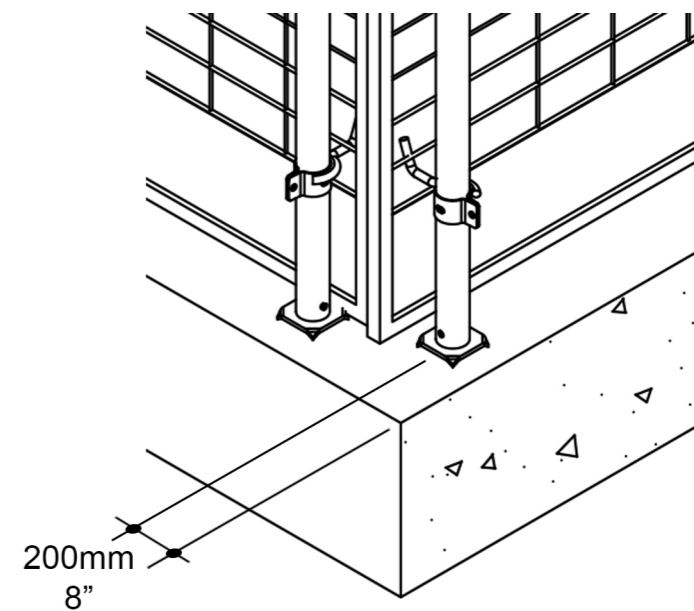
3. Extend Inner tube up to soffit ensuring post is vertical and all contact points on plates are engaged with surfaces.

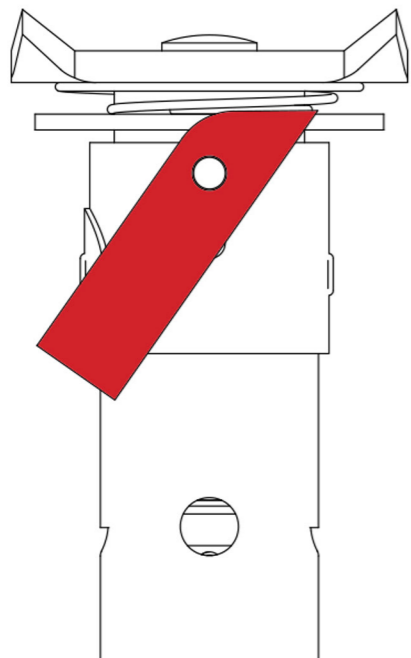


4. Close handle to fix in place. Ensure check flag is vertical (if not, repeat step 3). Lock handle in place with ring.

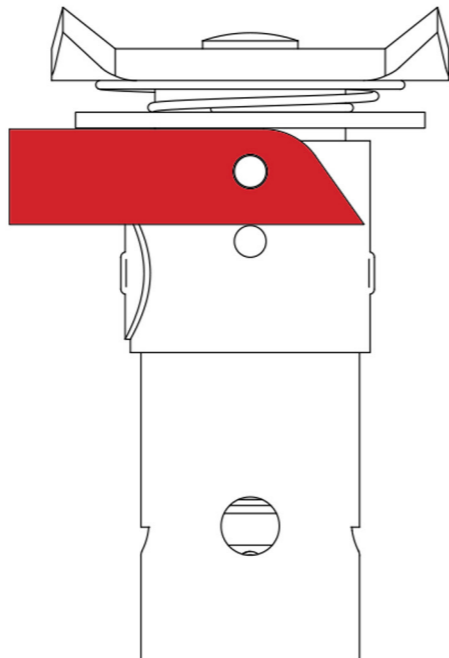


5. Slide safety latch down over locking ring until button pops out.





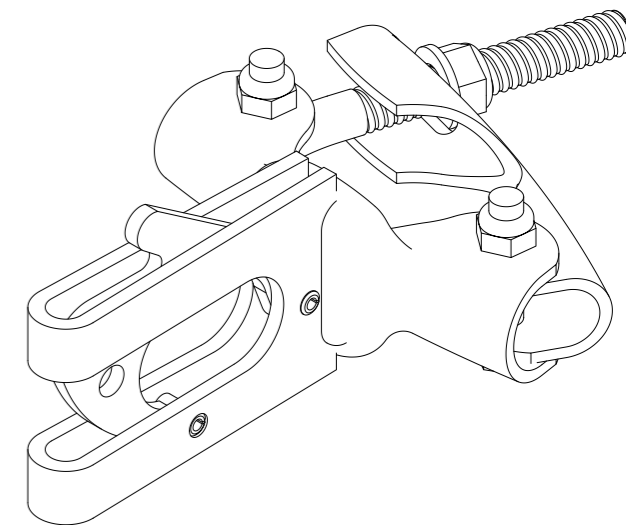
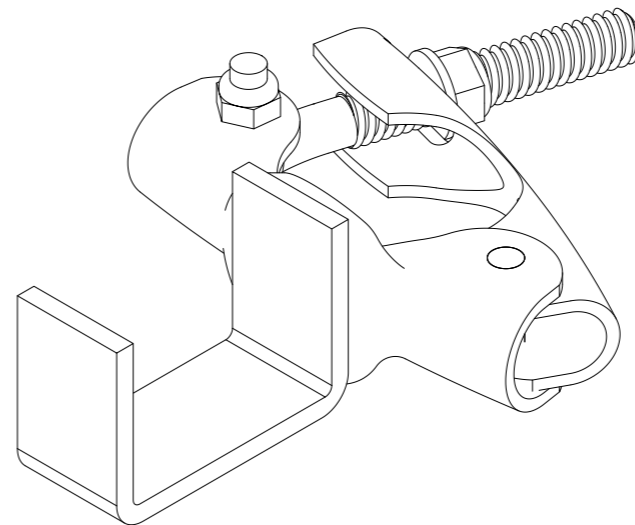
10



RAPID CLAMP & RAPID LATCH

RAPID CLAMP - 0.5KG / 1.1LBS

RAPID LATCH - 0.5KG / 1.1LBS



RAPID CLAMP - EU020 / NA020 | RAPID LATCH - EU021 / NA021

11