

RAPID-EP S

PRODUCT DATA SHEET FOR RAPID POST EXTRA

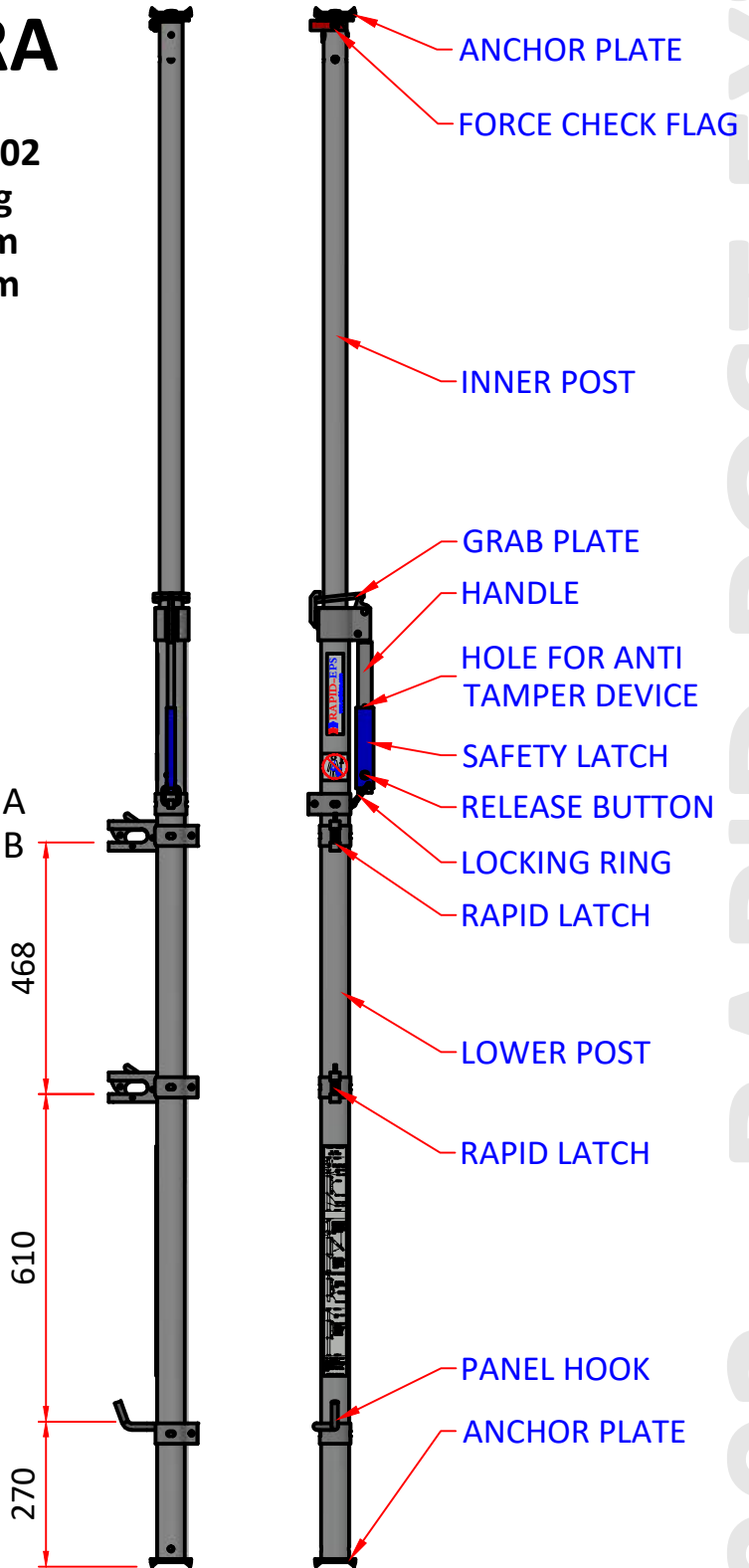
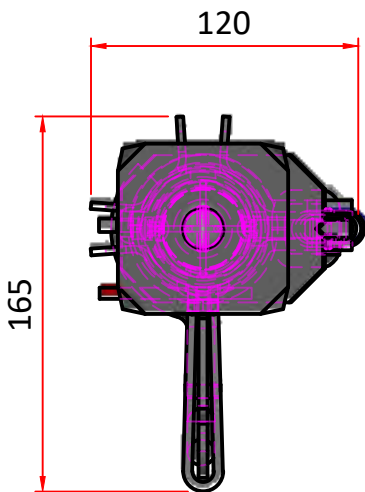
PRODUCT CODE	EU002
WEIGHT	19kg
CLOSED HEIGHT	2.9m
MAX. EXTENDED HEIGHT	4.3m

FINISH

SAFETY LATCH AND FORCE CHECK
FLAG POWDER COATED RED
INNER AND OUTER POSTS
GALVANISED
BOLT ON PARTS ZINC
PLATE AND PASSIVATE

COMPLIES WITH

BSEN 13374:2013 + A1:2018 CLASS A
BSEN 13374:2013 + A1:2018 CLASS B



RAPID-Edge Protection Systems Ltd.

T: 0113 252 8883 | F: 0113 307 4990 | W: rapideps.com
UNIT D TREEFIELD INDUSTRIAL ESTATE, GELDERD ROAD, GILDERSOME, LEEDS, LS27 7JU

2014 COPYRIGHT IN THIS DRAWING BELONGS TO RAPID EDGE PROTECTION SYSTEMS LTD. AND SHOULD NOT BE COPIED OR SHOWN TO THIRD PARTIES WITHOUT THE EXPRESS PERMISSION OF RAPID EDGE PROTECTION SYSTEMS LTD.



**MADE IN
BRITAIN**

EU002 - RAPID POST EXTRA