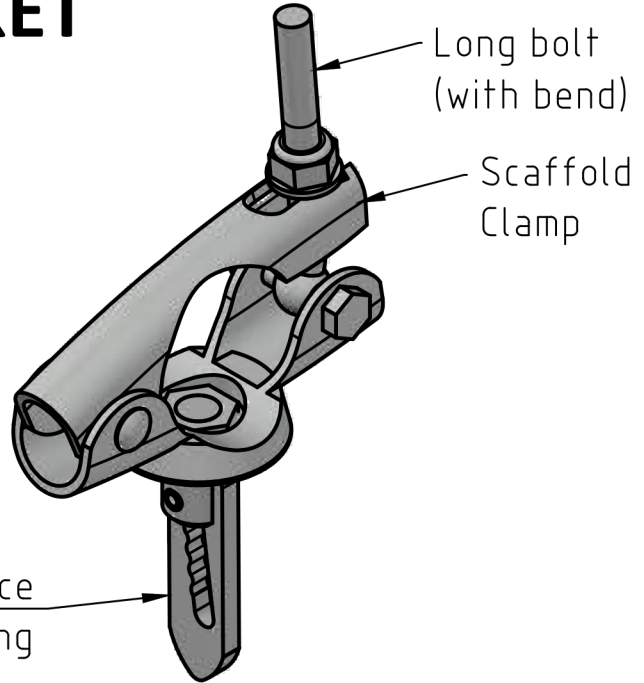
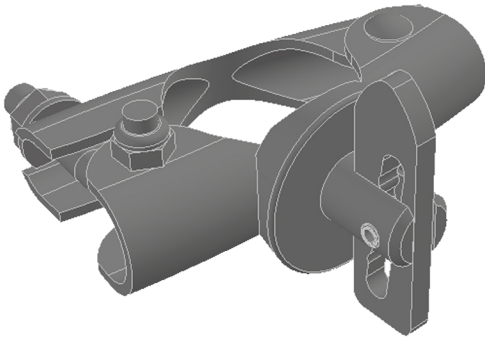


# **RAPID-EPs**

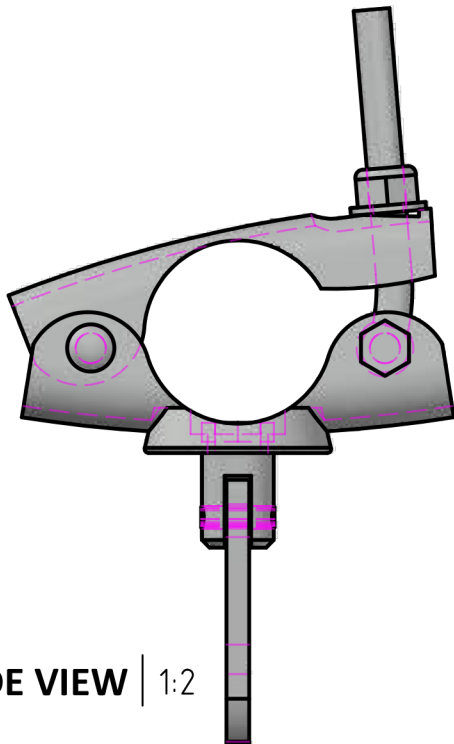
## PRODUCT DATA SHEET FOR **GUARD RAIL BRACKET**

PRODUCT CODE  
WEIGHT

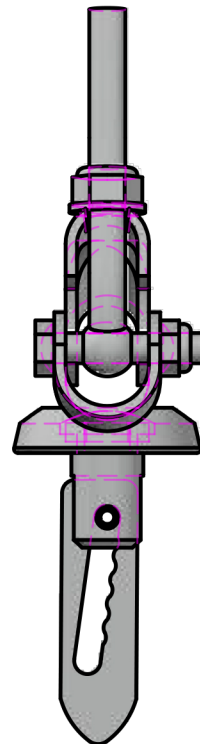
**EU151**  
**0.5kg**



ISO VIEW | 1:2



SIDE VIEW | 1:2



END VIEW | 1:2

**RAPID-Edge Protection Systems Ltd.**

T: 0113 252 8883 | F: 0113 307 4990 | W: [rapideps.com](http://rapideps.com)  
UNIT D TREEFIELD INDUSTRIAL ESTATE, GELDERD ROAD, GILDERSOME, LEEDS, LS27 7JU

2014 COPYRIGHT IN THIS DRAWING BELONGS TO RAPID EDGE PROTECTION SYSTEMS LTD. AND SHOULD NOT BE COPIED OR SHOWN TO THIRD PARTIES WITHOUT THE EXPRESS PERMISSION OF RAPID EDGE PROTECTION SYSTEMS LTD.



EU151 - GUARD RAIL BRACKET