



**RAPID-EPS®**

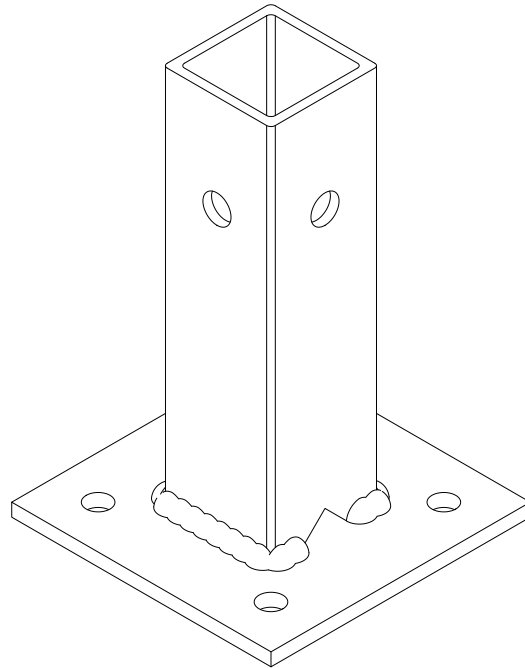
TOTAL EDGE PROTECTION WITH EASE

## PRODUCT INSTALLATION GUIDE



# TIMBER SOCKET BASE

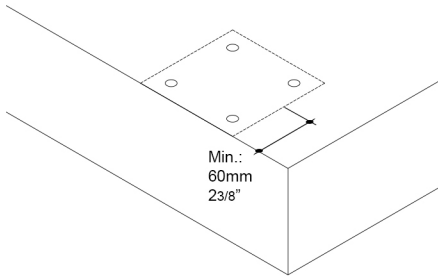
WEIGHT - 1.5KG / 3.3LBS



EU010-SQU / NA010-SQU

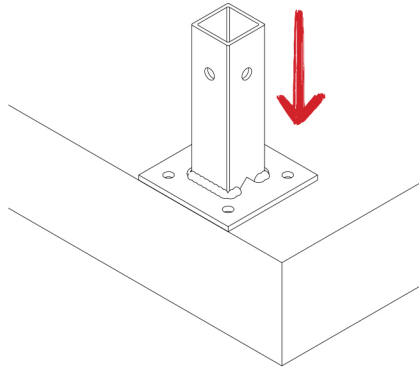
**IMPORTANT:** DISASSEMBLY PROCESS MUST FOLLOW THE INSTRUCTIONS IN REVERSE ORDER. IMPROPER INSTALLATION OR REMOVAL COULD RESULT IN SERIOUS INJURY OR DEATH.

1

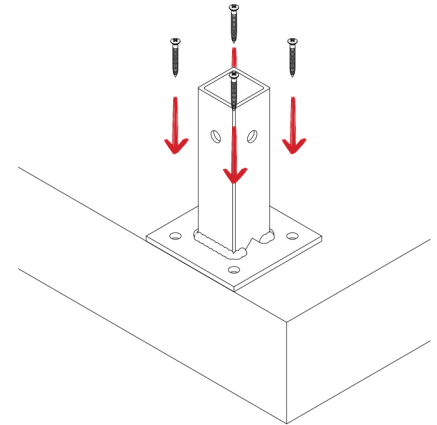


Minimum distances from edge of slab.

2



1. Place the centre of the socket base according to the minimum distances as shown to the left.



2. Fix socket base in place using 4No. Ø8mm (5/16") Heco Topix screws.