



**RAPID-EPS®**

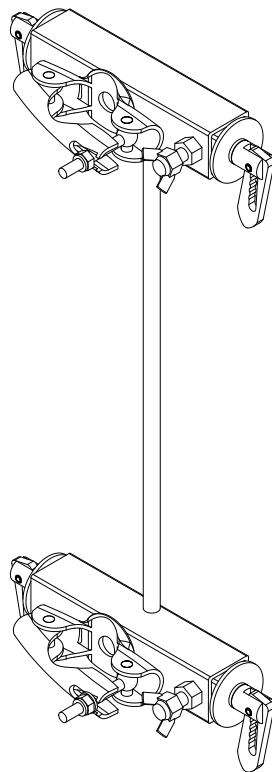
TOTAL EDGE PROTECTION WITH EASE

## PRODUCT INSTALLATION GUIDE

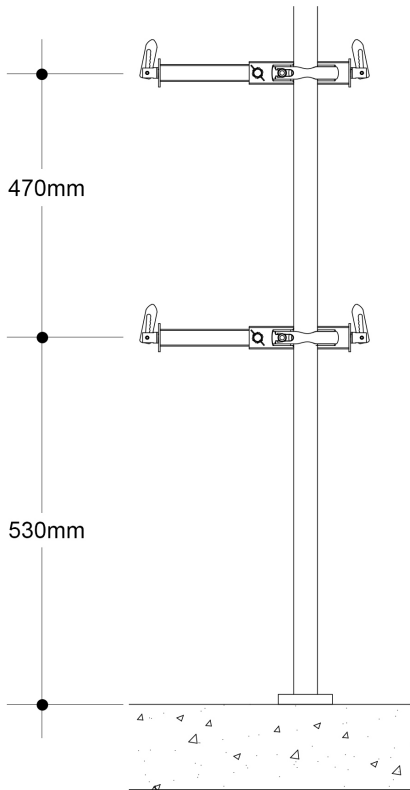


# STAIR RAIL CONNECTOR

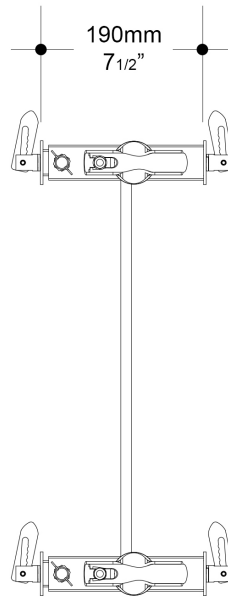
WEIGHT - 4.0KG / 8.8LBS



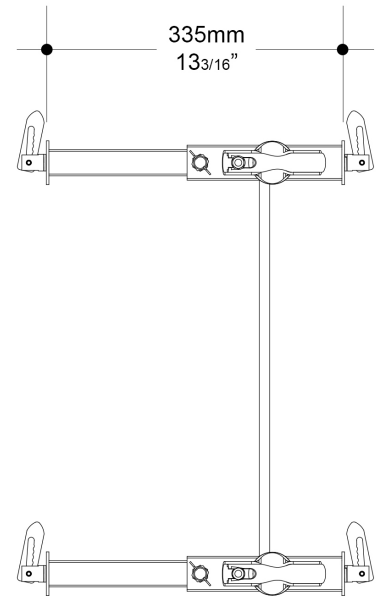
**EU034 / NA034**



EU034 Spacing Configuration  
(NA034 Larger Centres)



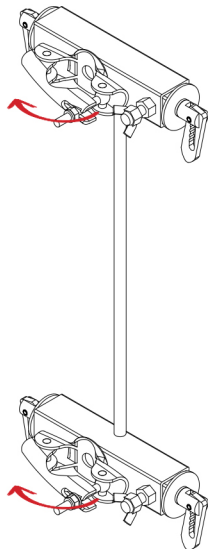
Minimum Extension



Maximum Extension

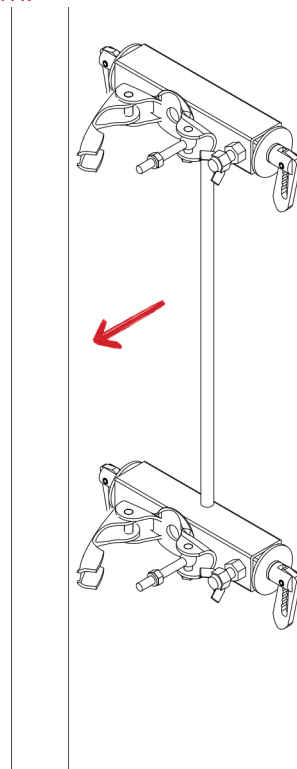
**IMPORTANT:** DISASSEMBLY PROCESS MUST FOLLOW THE INSTRUCTIONS IN REVERSE ORDER. IMPROPER INSTALLATION OR REMOVAL COULD RESULT IN SERIOUS INJURY OR DEATH.

1



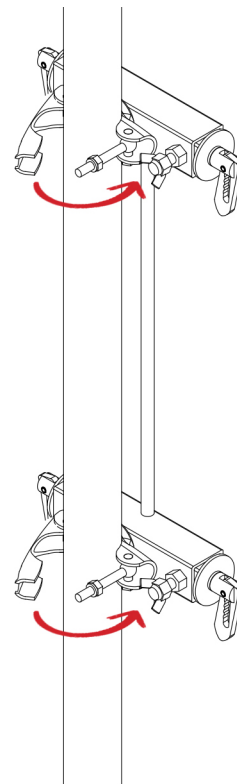
1. Open the top and bottom clamp by loosening the nuts.

2



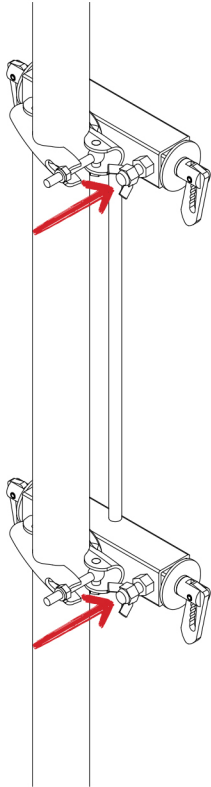
2. Place the clamp around the post.

3



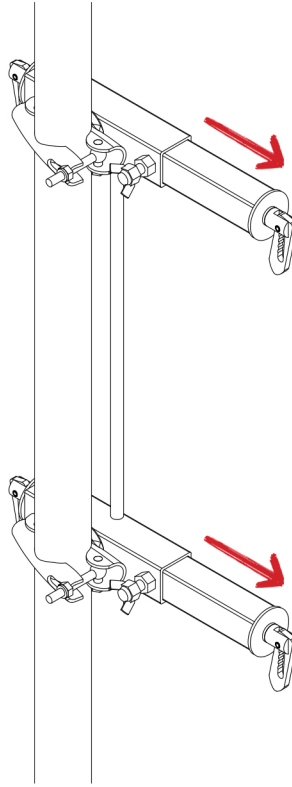
3. Close the half coupler around the post and tighten the nut. Ensure the bracket is in the correct position and orientation.

4



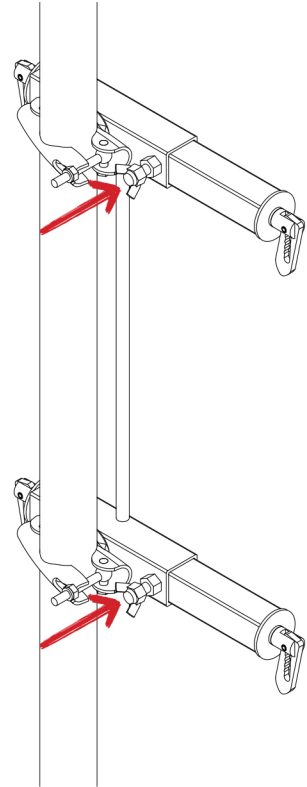
4. Loosen the wing nuts on the back of the connector.

5



5. Extend the arm to the required position.

6



6. Tighten the wing nut back in place ensuring it is securely fastened.