



RAPID-EPS®

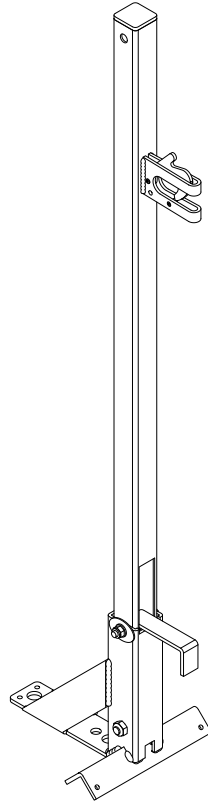
TOTAL EDGE PROTECTION WITH EASE

PRODUCT INSTALLATION GUIDE



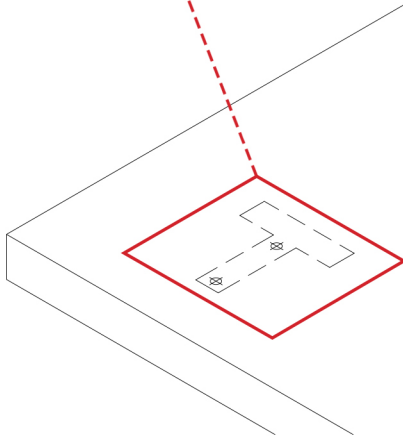
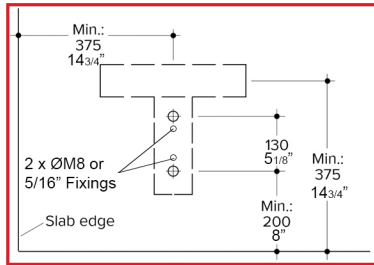
DUAL PURPOSE STAND

WEIGHT - 6.0KG / 3.2LBS



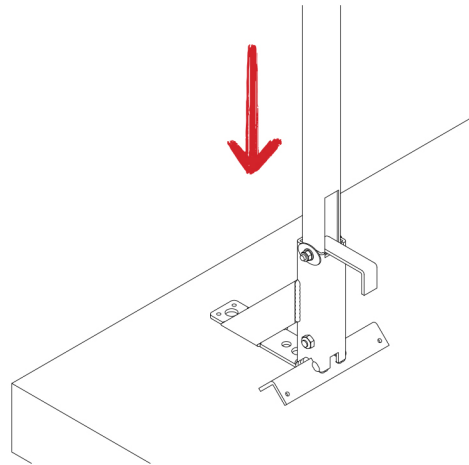
EU007 / NA007

IMPORTANT: DISASSEMBLY PROCESS MUST FOLLOW THE INSTRUCTIONS IN REVERSE ORDER. IMPROPER INSTALLATION OR REMOVAL COULD RESULT IN SERIOUS INJURY OR DEATH.



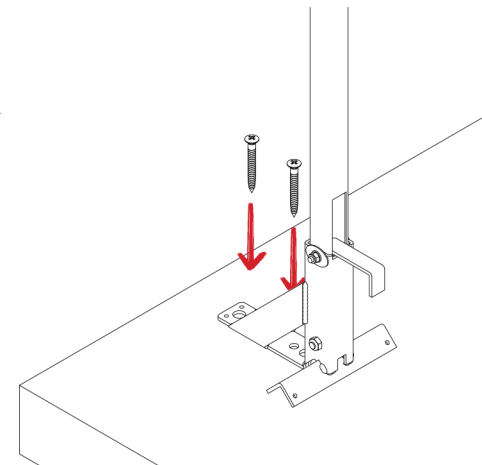
Minimum distances from edge of slab.

1



1. Place the stand in position using the distance on the left image.

2



2. Screw in place using 2No. M8 x 60mm (5/16" x 2^{3/8}")Heco Topix fixings.