



**RAPID-EPS®**

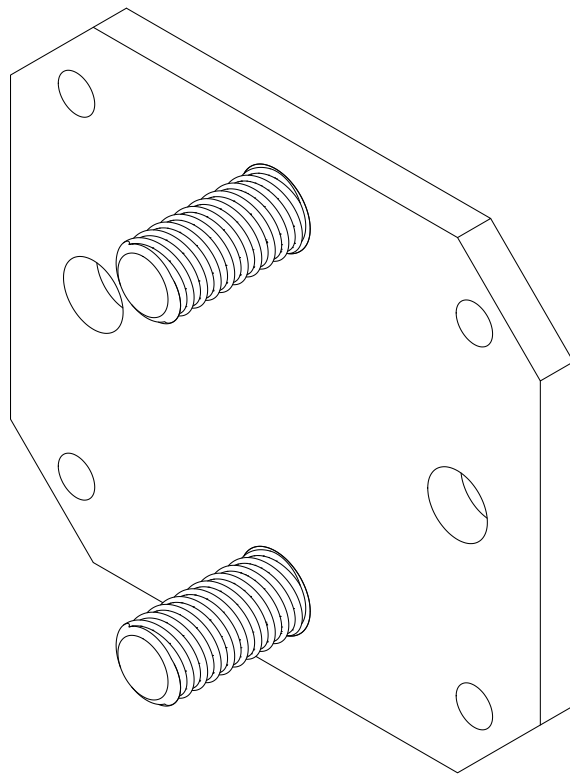
TOTAL EDGE PROTECTION WITH EASE

## PRODUCT INSTALLATION GUIDE



# ADAPTER FACEPLATE

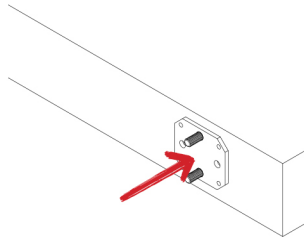
WEIGHT - 1.5KG / 3.3LBS



**EU041 / NA041**

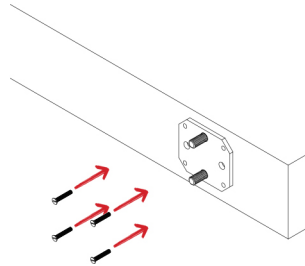
**IMPORTANT:** DISASSEMBLY PROCESS MUST FOLLOW THE INSTRUCTIONS IN REVERSE ORDER. IMPROPER INSTALLATION OR REMOVAL COULD RESULT IN SERIOUS INJURY OR DEATH.

1



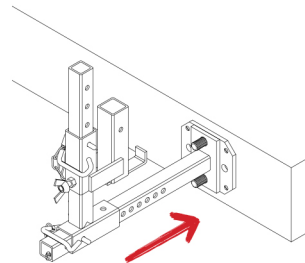
1. Hold Adapter Face Plate in place against CLT edge.

2



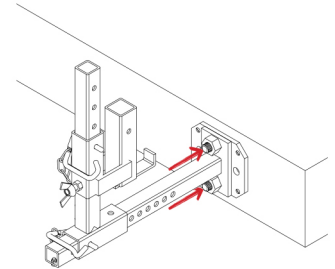
2. Screw 4No. 8mm/ 1/4" x 140mm 5 1/2" Heco Topix wood screws.

3



3. Place Web Fix bracket on facemount bracket.

4



4. Secure with nuts and adjust the Web Fix bracket to required indexing.