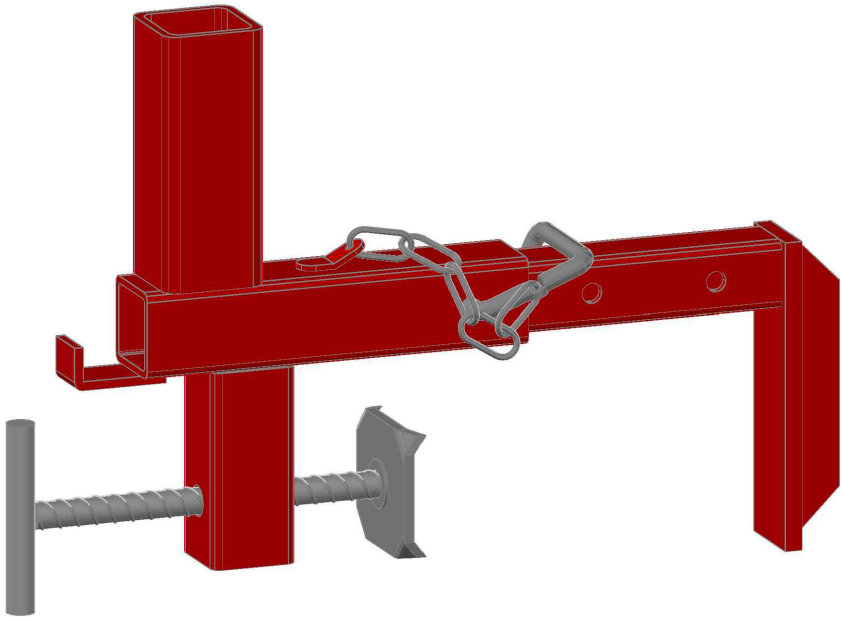


# TELESCOPIC TRENCH CLAMP (TG032) INSTALLATION GUIDE



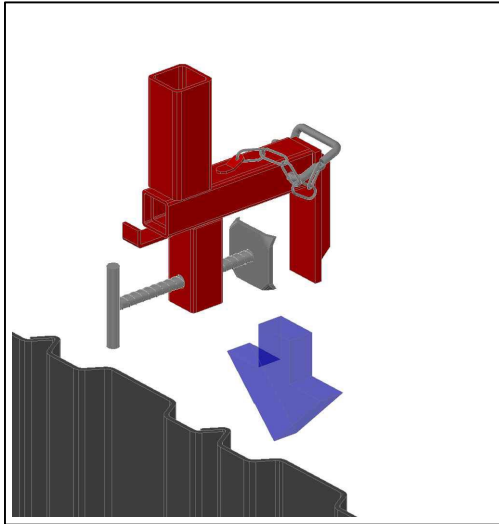
**RAPID-EPS**  
**RAPID-Edge Protection Systems Ltd.**

T: 0113 252 8883 | F: 0113 307 4990 | W: [rapideps.com](http://rapideps.com)  
UNIT D TREEFIELD INDUSTRIAL ESTATE, GELDERD ROAD, GILDERSOME, LEEDS, LS27 7JU

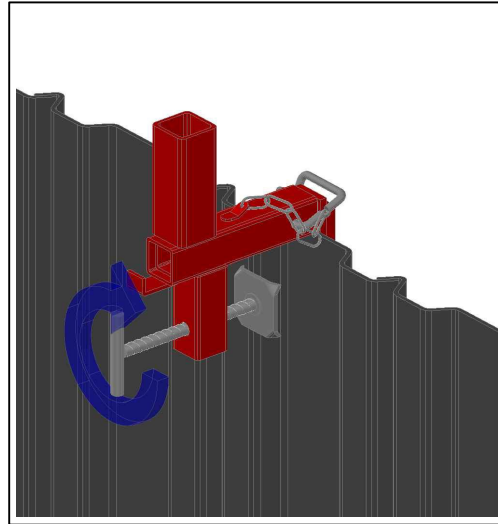


# TELESCOPIC TRENCH CLAMP (TG032) INSTALLATION GUIDE

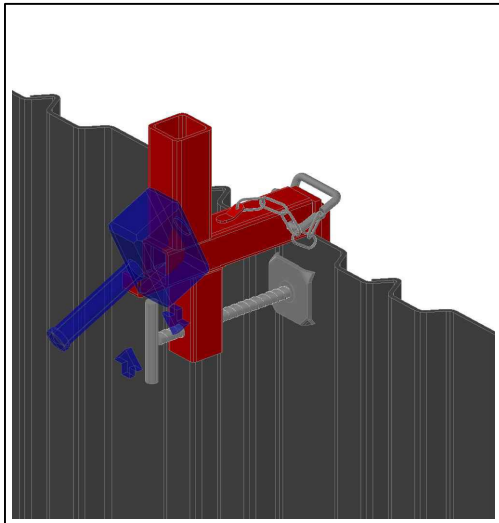
**IMPORTANT:** DISASSEMBLY PROCESS MUST FOLLOW THE INSTRUCTIONS IN REVERSE ORDER.  
IMPROPER INSTALLATION OR REMOVAL COULD RESULT IN SERIOUS INJURY OR DEATH.



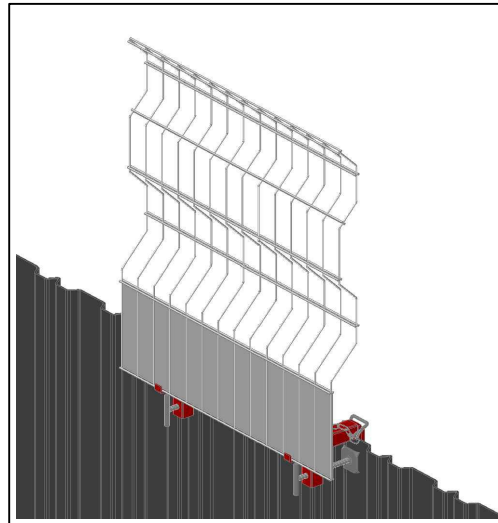
**STEP 1:**  
PLACE TELESCOPIC CLAMP  
OVER TRENCH SHEET.



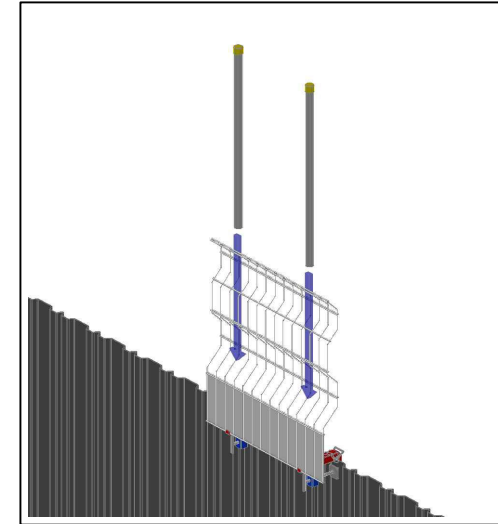
**STEP 2:**  
TIGHTEN TELESCOPIC  
CLAMP ONTO TRENCH SHEET



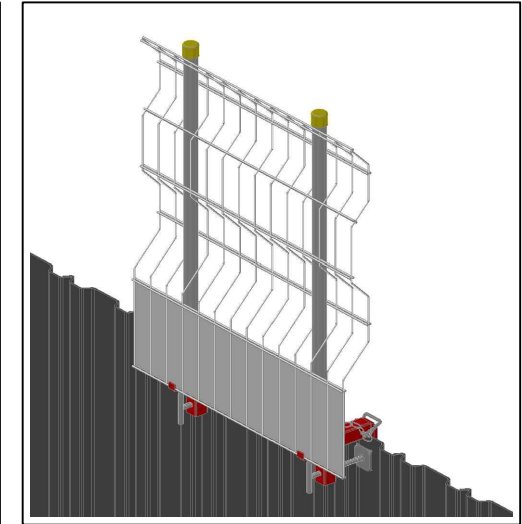
**STEP 3:**  
ENSURE CLAMP IS TIGHT



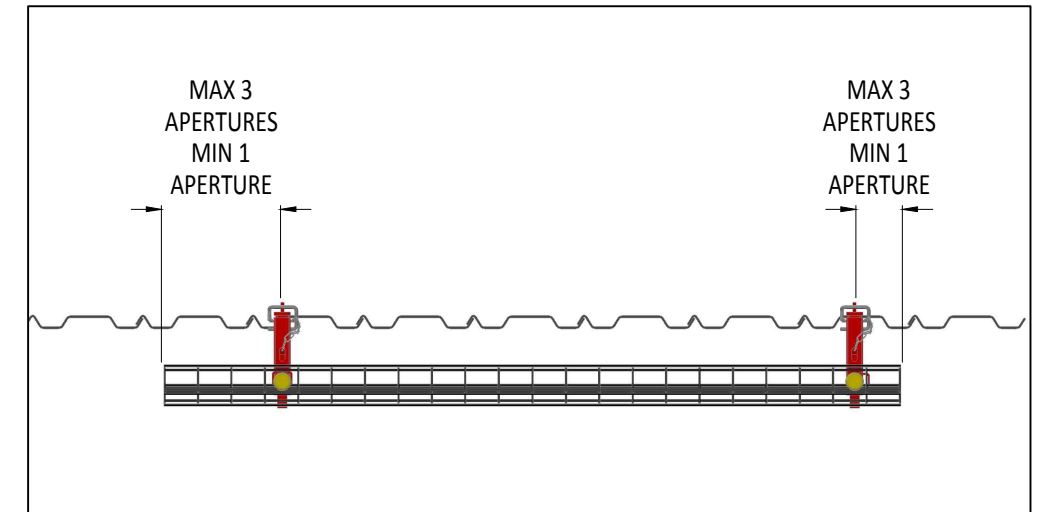
**STEP 4:**  
HOLD TRENCHGUARD PANEL IN  
PLACE



**STEP 5:**  
PLACE POST THROUGH PANEL  
INTO TRENCH SHEET CLAMP

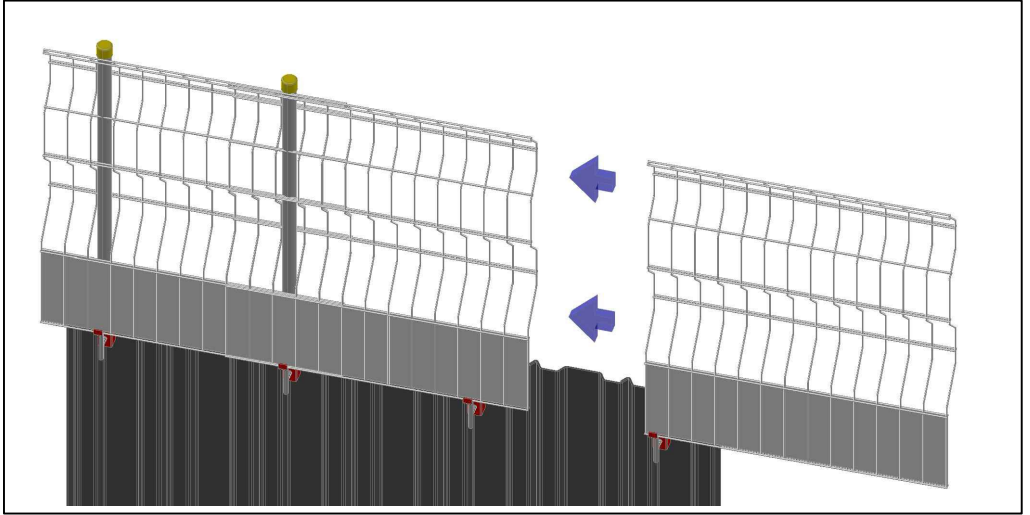


**STEP 6:**  
INSTALLATION COMPLETE

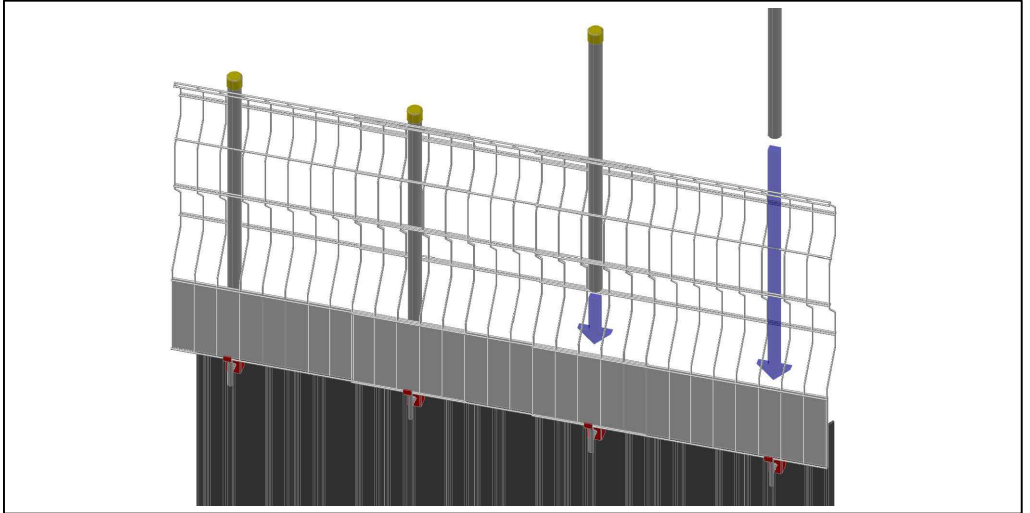


**EQUIPMENT SET-OUT:**  
CLAMPS SET OUT MAXIMUM 3 APERTURES  
FROM END OF PANEL, MINIMUM 1 APERTURE

# PANEL CONTINUATION



**STEP 1:**  
PLACE NEXT PANEL INTO POSITION.



**STEP 2:**  
PLACE POSTS THROUGH PANEL INTO TELESCOPIC CLAMPS.

**IMPORTANT:** DISASSEMBLY PROCESS MUST FOLLOW THE INSTRUCTIONS IN REVERSE ORDER.  
IMPROPER INSTALLATION OR REMOVAL COULD RESULT IN SERIOUS INJURY OR DEATH.