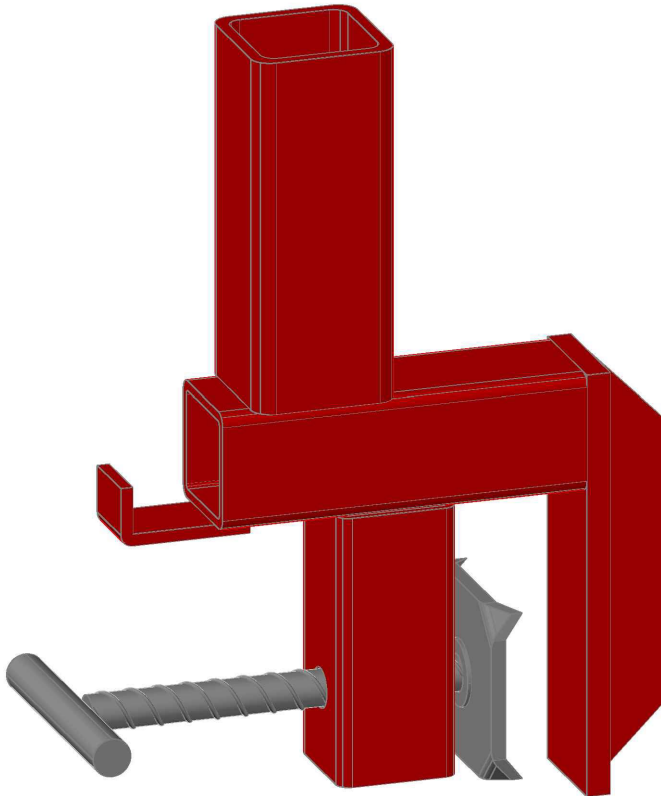


SHEET TRENCH CLAMP (TG002) INSTALLATION GUIDE



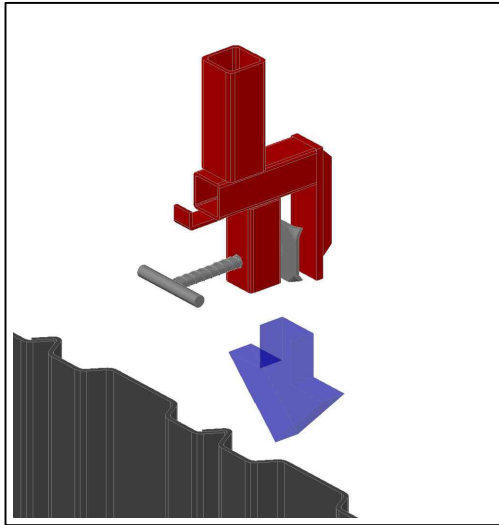
RAPID-EPS
RAPID-Edge Protection Systems Ltd.

T: 0113 252 8883 | F: 0113 307 4990 | W: rapideps.com
UNIT D TREEFIELD INDUSTRIAL ESTATE, GELDERD ROAD, GILDERSOME, LEEDS, LS27 7JU

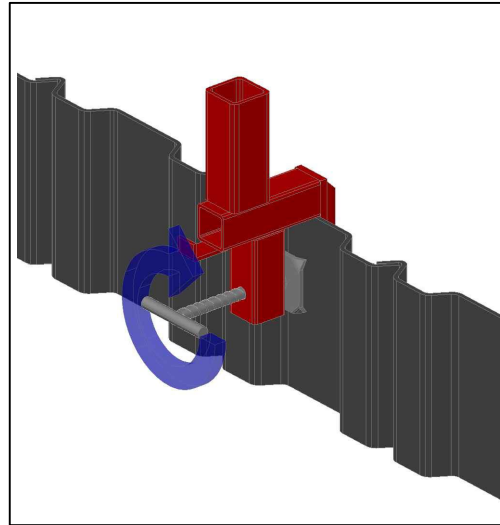


TRENCH GUARD - SHEET CLAMP INSTALL

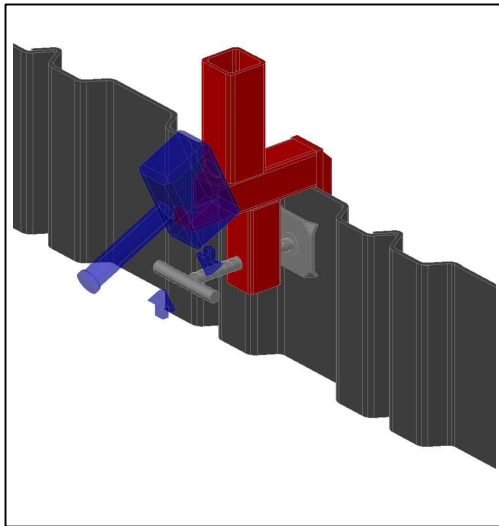
IMPORTANT: DISASSEMBLY PROCESS MUST FOLLOW THE INSTRUCTIONS IN REVERSE ORDER. IMPROPER INSTALLATION OR REMOVAL COULD RESULT IN SERIOUS INJURY OR DEATH.



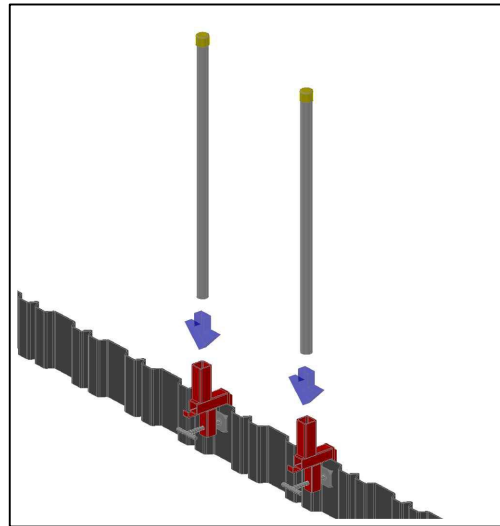
STEP 1:
PLACE TRENCH GUARD SHEET CLAMP OVER THE TRENCH SHEET.



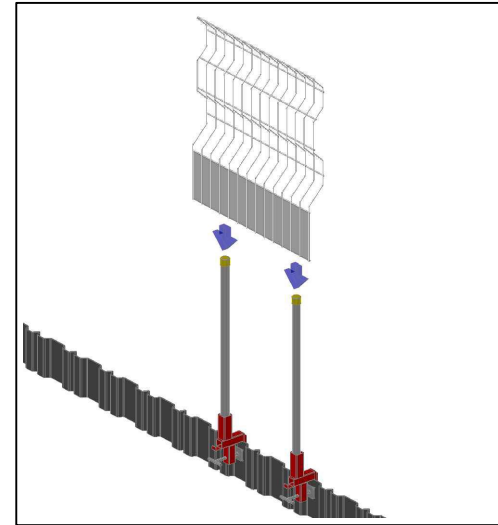
STEP 2:
TIGHTEN SHEET CLAMP ONTO TRENCH SHEET.



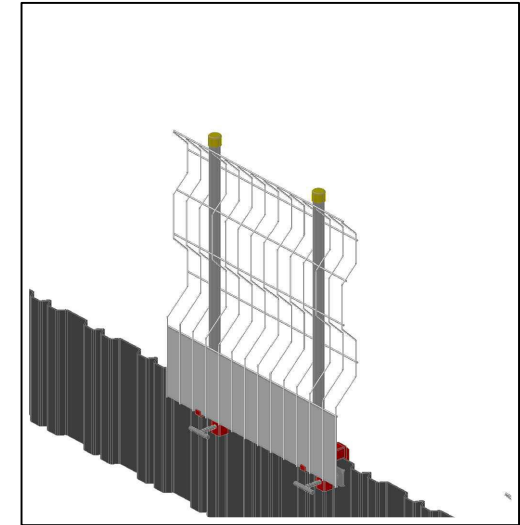
STEP 3:
ENSURE THE CLAMP IS TIGHT.



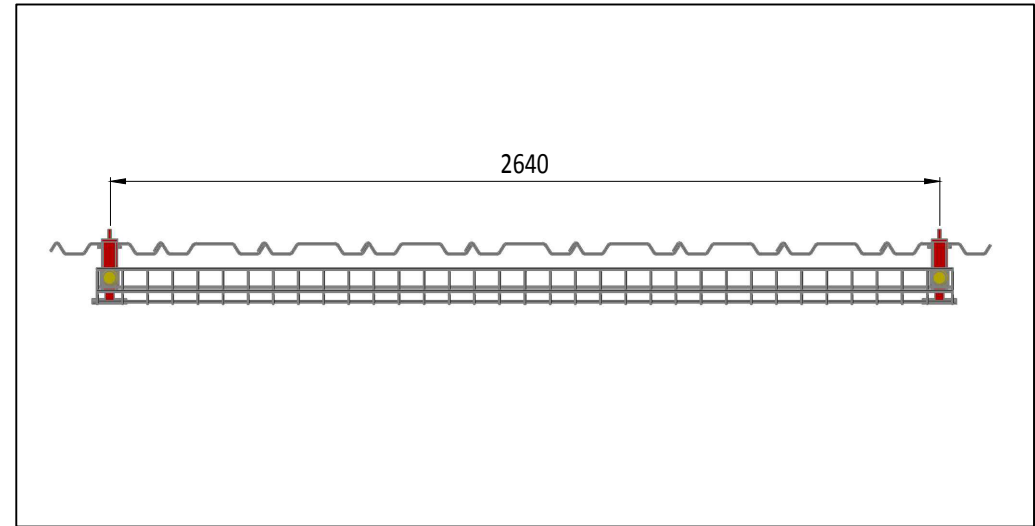
STEP 4:
INSERT TRENCH GUARD POSTS INTO THE SHEET CLAMPS.



STEP 5:
PLACE TRENCH GUARD PANEL OVER BOTH TRENCH GUARD POSTS.

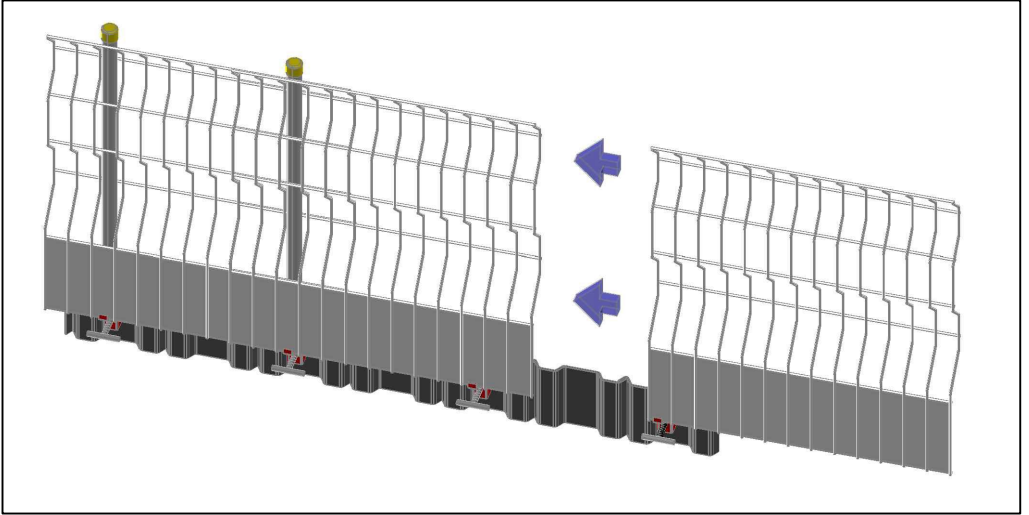


STEP 6:
INSTALLATION COMPLETE.

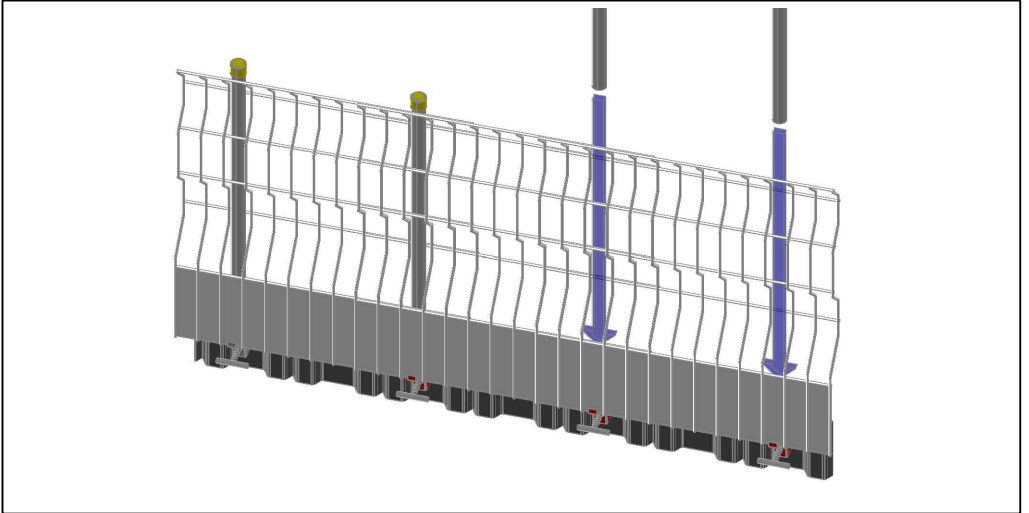


CLAMP PLACEMENT:
ENSURE THAT THE SHEET CLAMPS ARE SET AT MAXIMUM CENTERS OF 2640mm

PANEL CONTINUATION



STEP 1:
PLACE NEXT PANEL INTO POSITION.



STEP 2:
PLACE POSTS THROUGH THE PANEL INTO THE TRENCH GUARD SHEET CLAMPS.

IMPORTANT: DISASSEMBLY PROCESS MUST FOLLOW THE INSTRUCTIONS IN REVERSE ORDER. IMPROPER INSTALLATION OR REMOVAL COULD RESULT IN SERIOUS INJURY OR DEATH.