

# SLAB GRAB INSTALLATION GUIDE



**NA008  
EU008**  
ADJUSTABLE SLAB  
GRAB

ADJUSTABLE FROM  
100mm/4" TO  
375mm / 15"

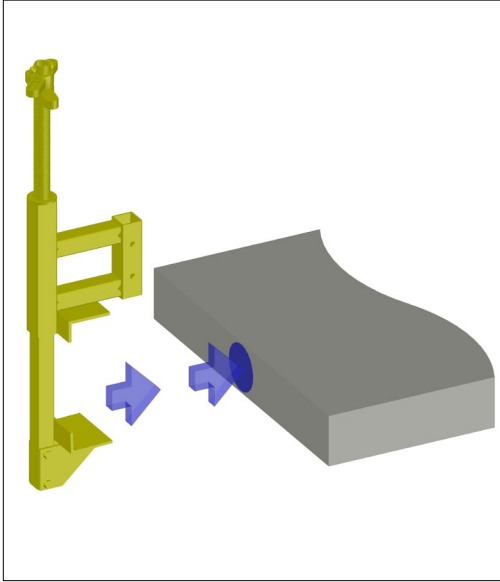


**RAPID-EP'S**  
RAPID-Edge Protection Systems Ltd.

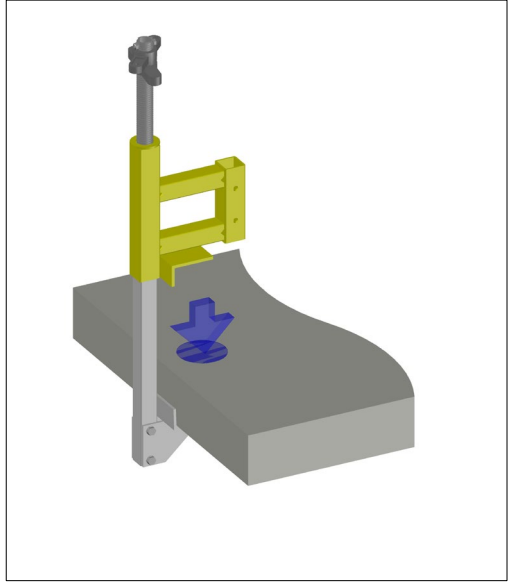
T: 0113 252 8883 | F: 0113 307 4990 | W: [rapideps.com](http://rapideps.com)  
UNIT D TREEFIELD INDUSTRIAL ESTATE, GELDERD ROAD, GILDERSOME, LEEDS, LS27 7JU



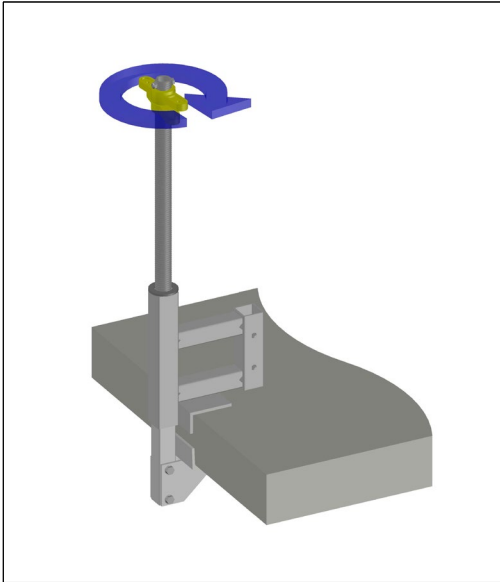
# SLAB GRAB INSTALLATION



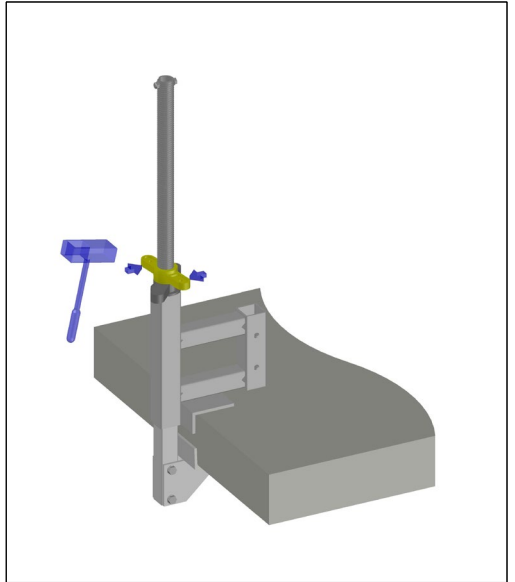
**STEP 1:**  
PLACE OPEN SLAB GRAB OVER SLAB EDGE.



**STEP 2:**  
LOWER THE CLAMP ARM DOWN TO MEET THE SLAB.

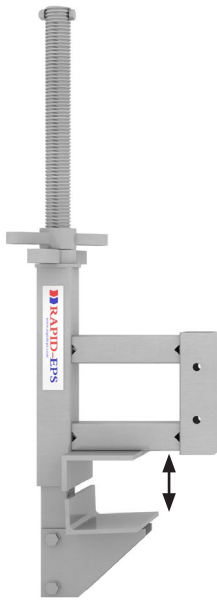


**STEP 3:**  
SCREW THE WINGNUT INTO PLACE.



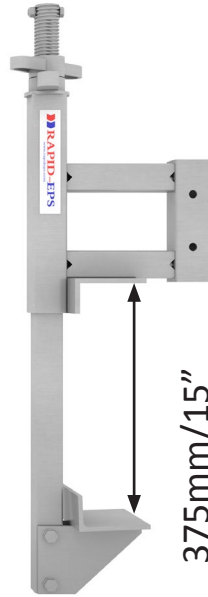
**STEP 4:**  
ENSURE THE WINGNUT IS TIGHT BY STRIKING ONCE WITH HAMMER.

**IMPORTANT:** DISASSEMBLY PROCESS MUST FOLLOW THE INSTRUCTIONS IN REVERSE ORDER. DO NOT REMOVE BY LIFTING STANDARD SUPPORT POST. CLOSE OFF WORKING AREA BELOW SLAB GRAB INSTALLATION. IMPROPER INSTALLATION OR REMOVAL COULD RESULT IN SERIOUS INJURY OR DEATH.



100mm/4"

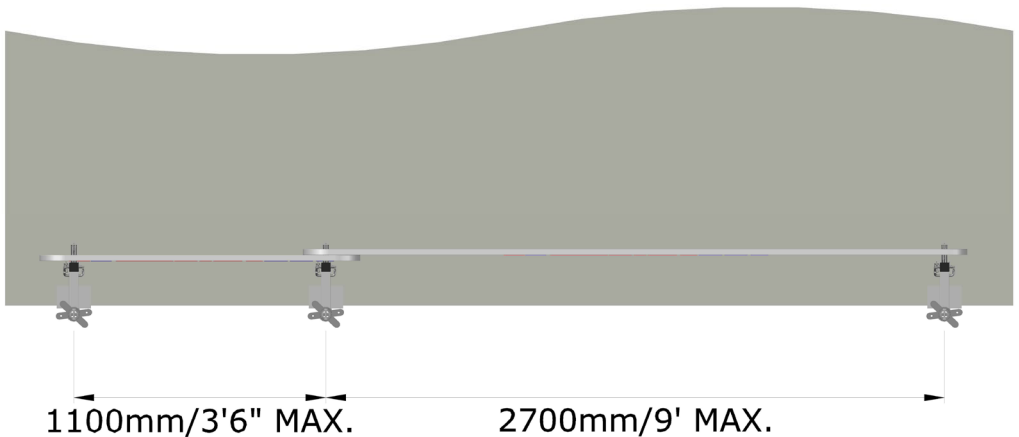
SLAB GRAB BRACKETS ARE ADJUSTABLE BETWEEN 100mm/4" AND 375mm/15".



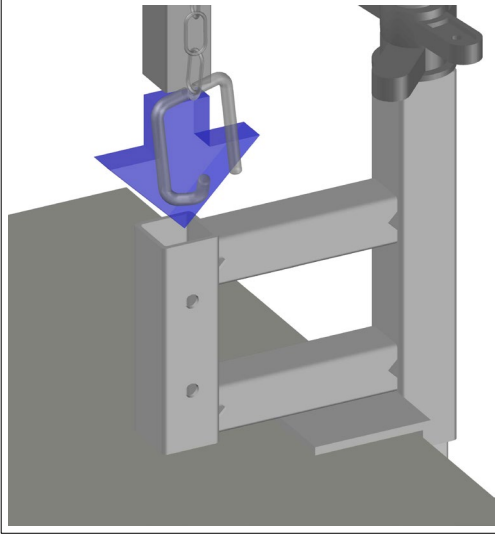
375mm/15"

## SLAB GRAB SPACING

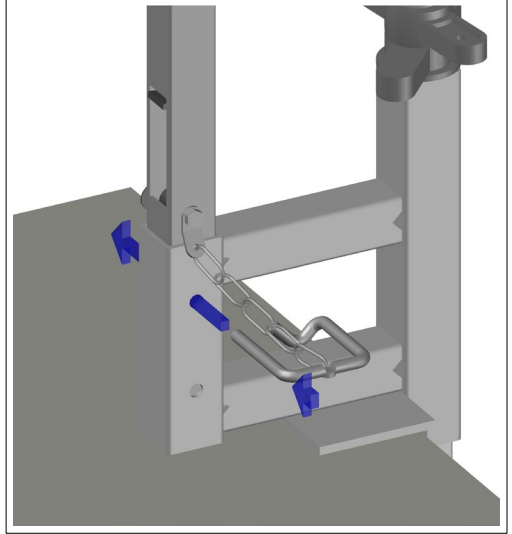
SLAB GRAB BRACKETS SHOULD BE SET OUT AT NO MORE THAN 1100mm/3'6" CENTERS FOR HALF PANELS AND 2700mm/9' CENTERS FOR FULL PANELS.



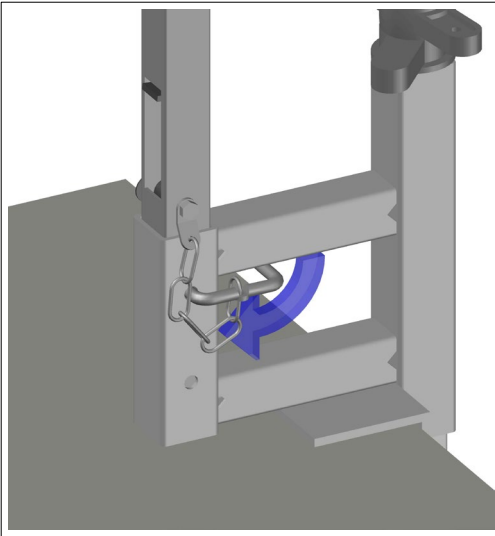
# STANDARD SUPPORT POST INSTALL



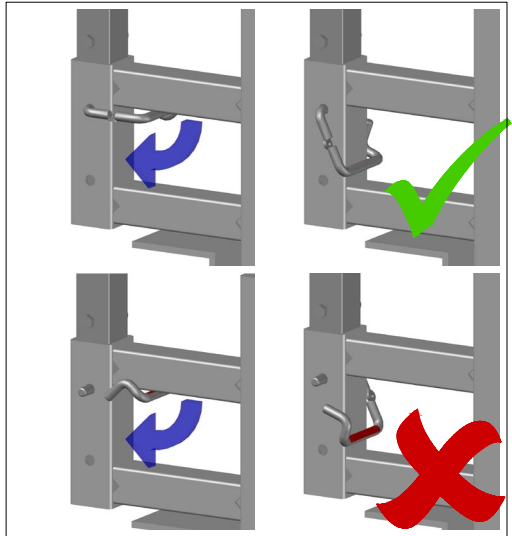
**STEP 1:**  
PLACE POST IN SLAB GRAB SOCKET.



**STEP 2:**  
PUSH RAPID PIN THROUGH SLAB GRAB SOCKET & POST.



**STEP 3:**  
ROTATE RAPID PIN INTO LOCKED POSITION.



**IMPORTANT NOTE:**  
THE RAPID PIN HAS A RED "LOCK" STICKER. THIS STICKER SHOULD BE HIDDEN WHEN PIN IS CORRECTLY INSTALLED.

**IMPORTANT:** DISASSEMBLY PROCESS MUST FOLLOW THE INSTRUCTIONS IN REVERSE ORDER. IMPROPER INSTALLATION OR REMOVAL COULD RESULT IN SERIOUS INJURY OR DEATH.