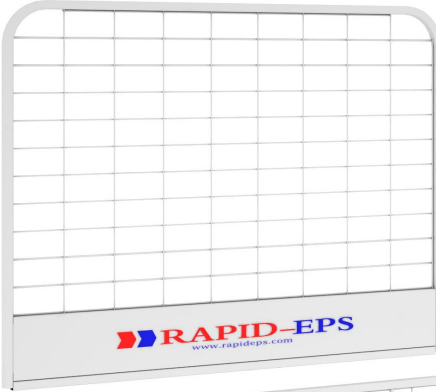


RAPID-EPS PANELS INSTALLATION GUIDE

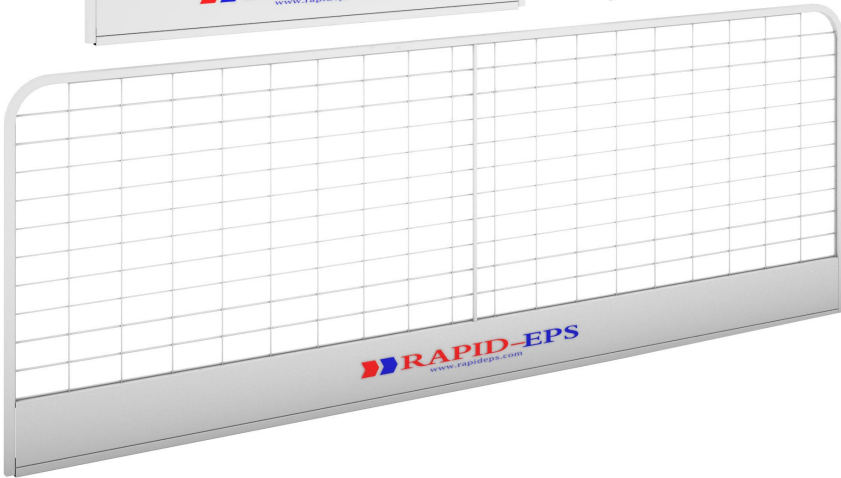
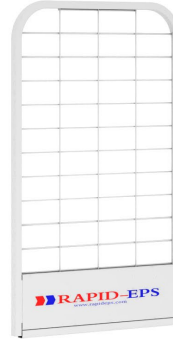
**NA005
EU005**

HALF PANEL
1400mm/4'7"
12kgs/26.5lbs



**NA085
EU085**

QUARTER PANEL
655mm/2'2"
9.5kgs/21lbs



**NA003
EU003**

FULL PANEL
2900mm/9'6"
21.5kgs/47lbs



RAPID-EPS
RAPID-Edge Protection Systems Ltd.

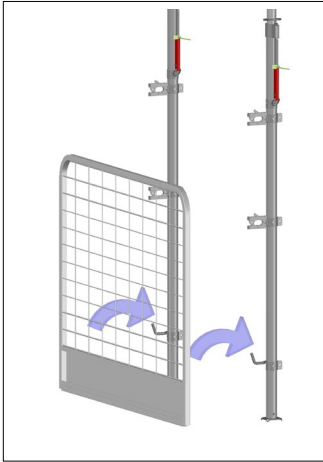
T: 0113 252 8883 | F: 0113 307 4990 | W: rapideps.com
UNIT D TREEFIELD INDUSTRIAL ESTATE, GELDERD ROAD, GILDERSOME, LEEDS, LS27 7JU



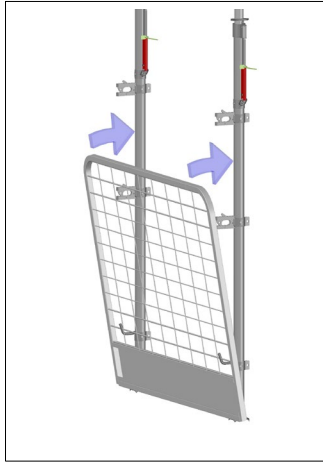
SINGLE PANEL INSTALLATION GUIDE

FOR DOUBLE HEIGHT PANELS OR HIGHER, PLEASE SEE OVERLEAF.

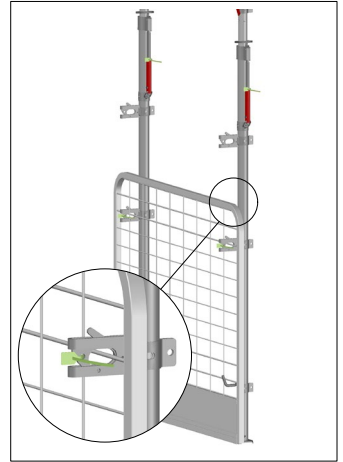
PANEL PLACEMENT: RAPID-POST & EXTRA



STEP 1:
PLACE BOTTOM OF
PANEL ON TO LOW
HOOK.

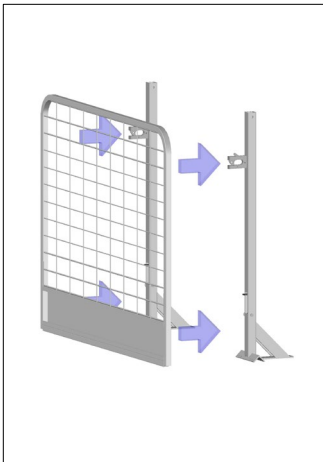


STEP 2:
PLACE TOP OF PANEL
INTO LATCH.

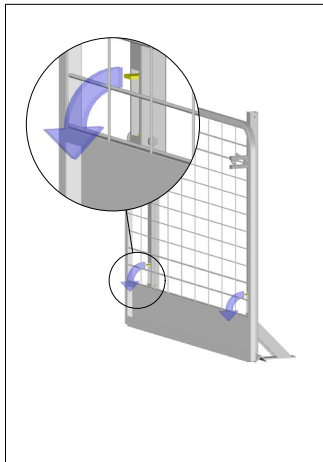


STEP 3:
SECURE LATCH WITH
ZIP-TAG. (OPTIONAL)

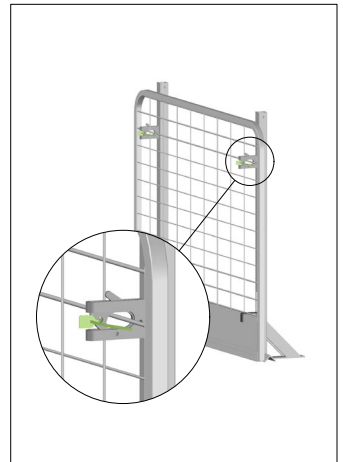
PANEL PLACEMENT: DUAL PURPOSE STAND



STEP 1:
PLACE PANEL INTO
LATCH.



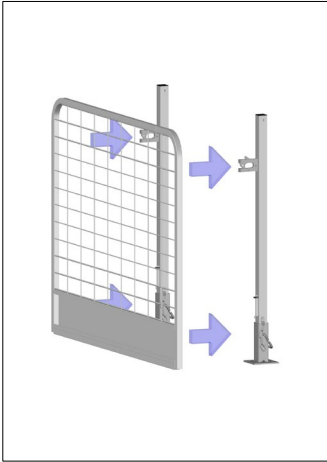
STEP 2:
DROP POST HOOK
OVER BOTTOM OF
PANEL.



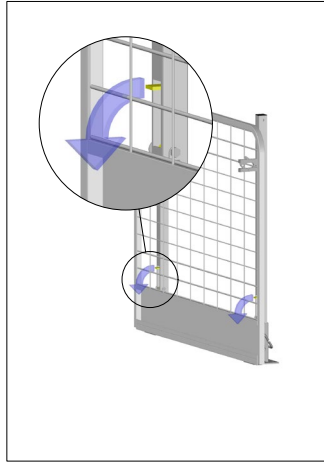
STEP 3:
SECURE LATCH WITH
ZIP-TAG. (OPTIONAL)

IMPORTANT: DISASSEMBLY PROCESS MUST FOLLOW THE INSTRUCTIONS IN REVERSE ORDER. IMPROPER INSTALLATION OR REMOVAL COULD RESULT IN SERIOUS INJURY OR DEATH.

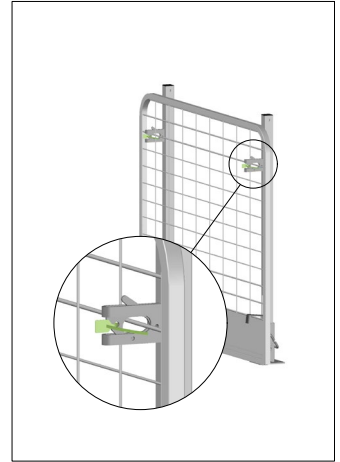
PANEL PLACEMENT: STANDARD SUPPORT POST



STEP 1:
PLACE PANEL INTO
LATCH.

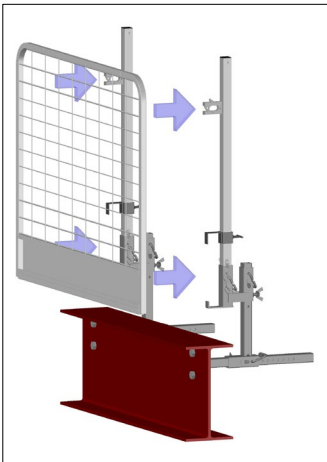


STEP 2:
DROP POST HOOK
OVER BOTTOM OF
PANEL.

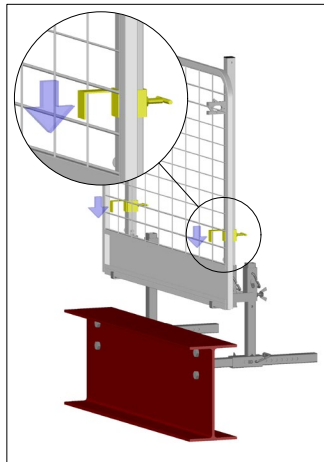


STEP 3:
SECURE LATCH WITH
ZIP-TAG. (OPTIONAL)

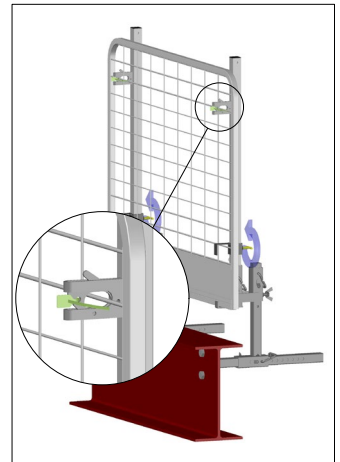
PANEL PLACEMENT: STEEL FRAME POST



STEP 1:
PLACE PANEL INTO
LATCH.



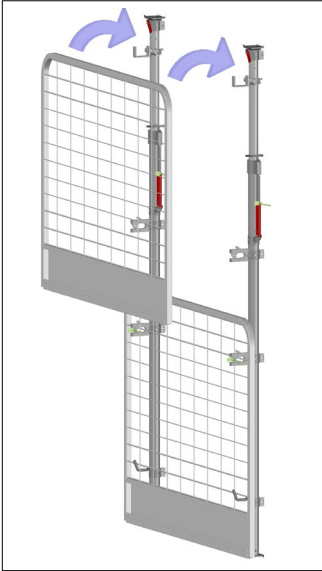
STEP 2:
LOWER POST HOOK
OVER PANEL.



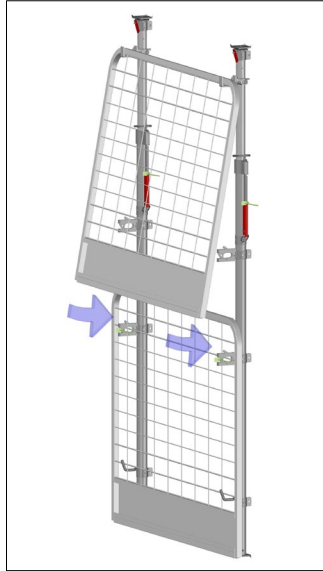
STEP 3:
SECURE LATCH WITH
ZIP-TAG. (OPTIONAL)

DOUBLE HEIGHT INSTALL GUIDELINES

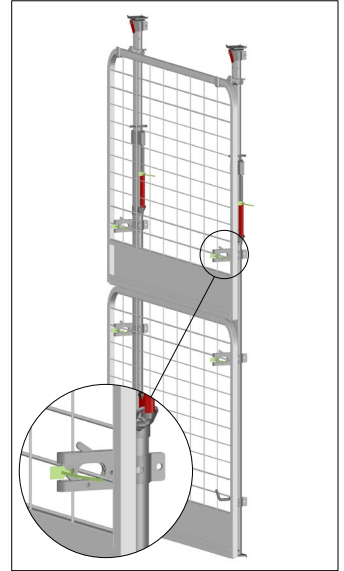
FOR DOUBLE HEIGHT OR HIGHER, RAPID LATCHES AND RAPID CLAMPS MUST FIRST BE INSTALLED ON RAPID POSTS, SEE RAPID LATCH AND RAPID CLAMP INSTALLATION GUIDE.



STEP 1:
PLACE TOP OF PANEL
ON TO HIGH HOOK.

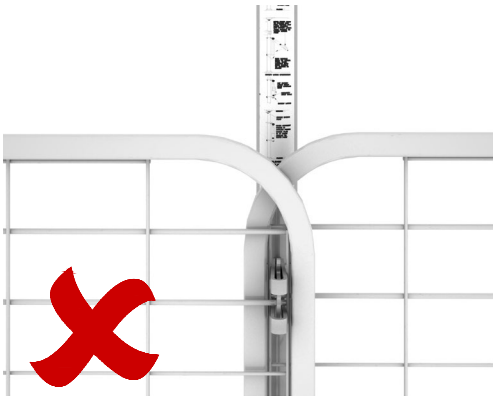


STEP 2:
PLACE BOTTOM OF
PANEL IN TO LATCH.



STEP 3:
SECURE LATCH WITH
ZIP-TAG. (OPTIONAL)

PANEL CONTINUATION: OVERLAP



PANELS **MUST** OVERLAP BY 1 FULL MESH APERTURE WITH MAXIMUM 2700mm/9'0" CENTRES. (FULL PANEL)

IMPORTANT: DISASSEMBLY PROCESS MUST FOLLOW THE INSTRUCTIONS IN REVERSE ORDER. IMPROPER INSTALLATION OR REMOVAL COULD RESULT IN SERIOUS INJURY OR DEATH.