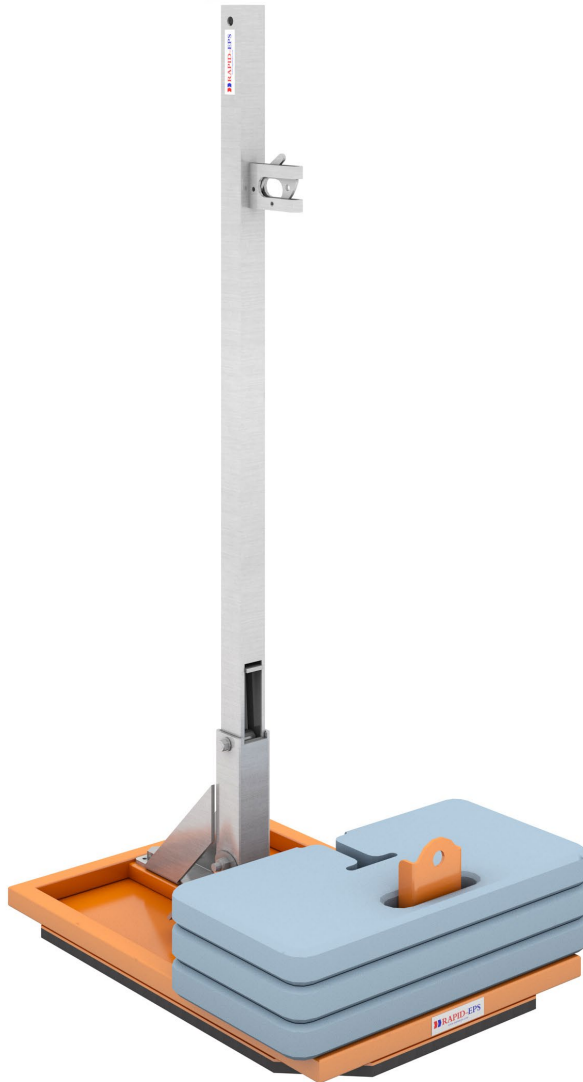


FREE-STANDING FOOTPLATE INSTALLATION GUIDE

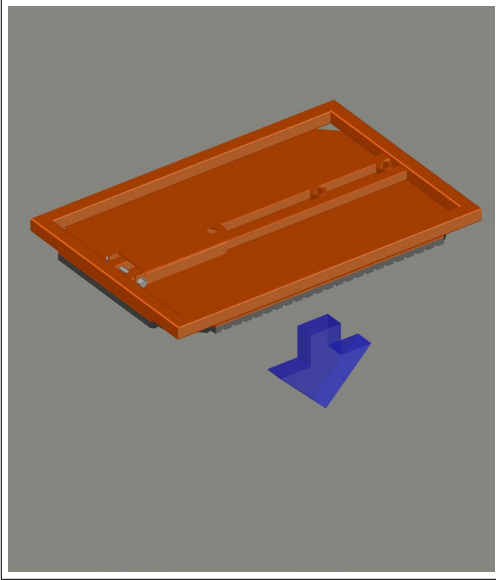


RAPID-EPS
RAPID-Edge Protection Systems Ltd.

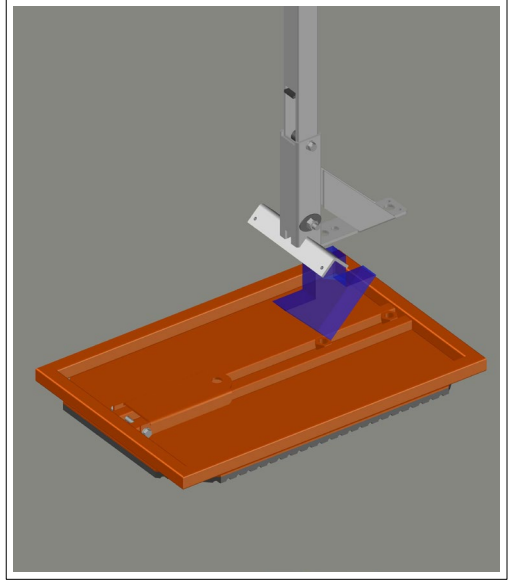
T: 0113 252 8883 | F: 0113 307 4990 | W: rapideps.com
UNIT D TREEFIELD INDUSTRIAL ESTATE, GELDERD ROAD, GILDERSOME, LEEDS, LS27 7JU



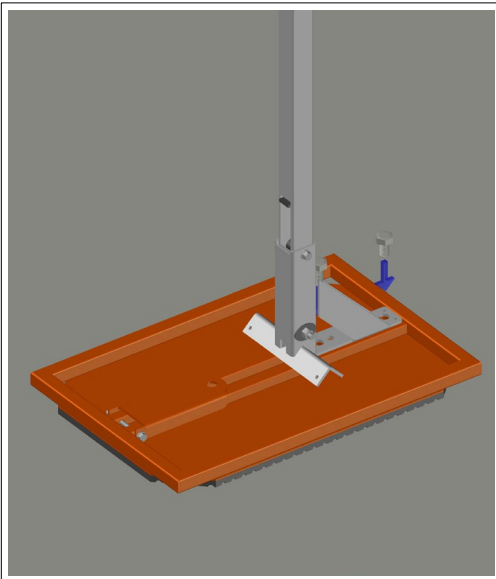
FREE-STANDING FOOTPLATE INSTALL



STEP 1: PLACE THE FREE-STANDING FOOTPLATE ONTO THE GROUND.



STEP 2: PLACE A DPS (AS ABOVE) ON THE FOOTPLATE OVER THE $\frac{5}{8}$ " / \varnothing M16 NUTS. (EUROPE - M16 / AMERICA - $\frac{5}{8}$ " UNC)

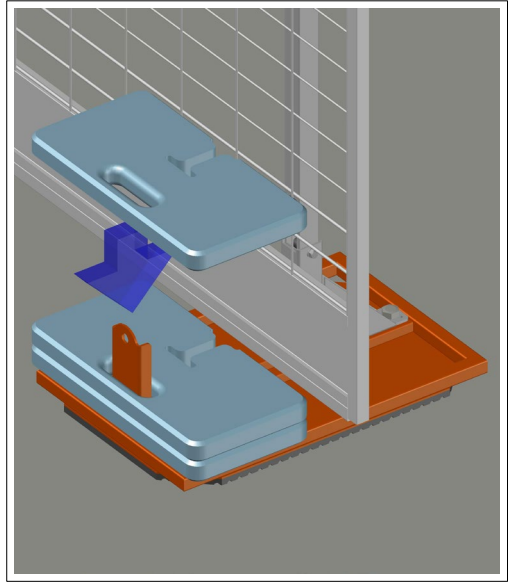
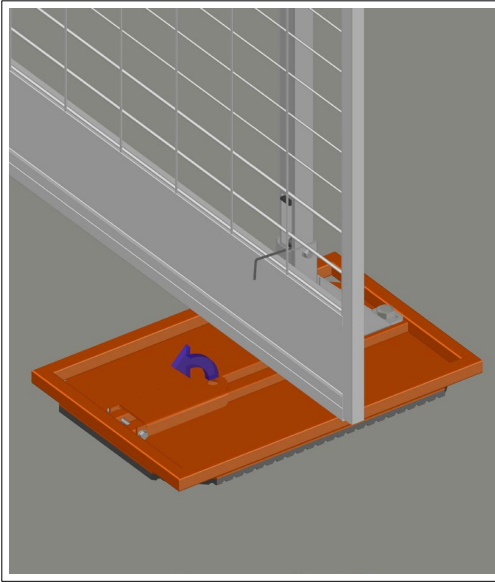


STEP 3: SECURE USING 2no. \varnothing M16 x 20mm / $\frac{5}{8}$ " x 1" BOLTS WITH WASHER.

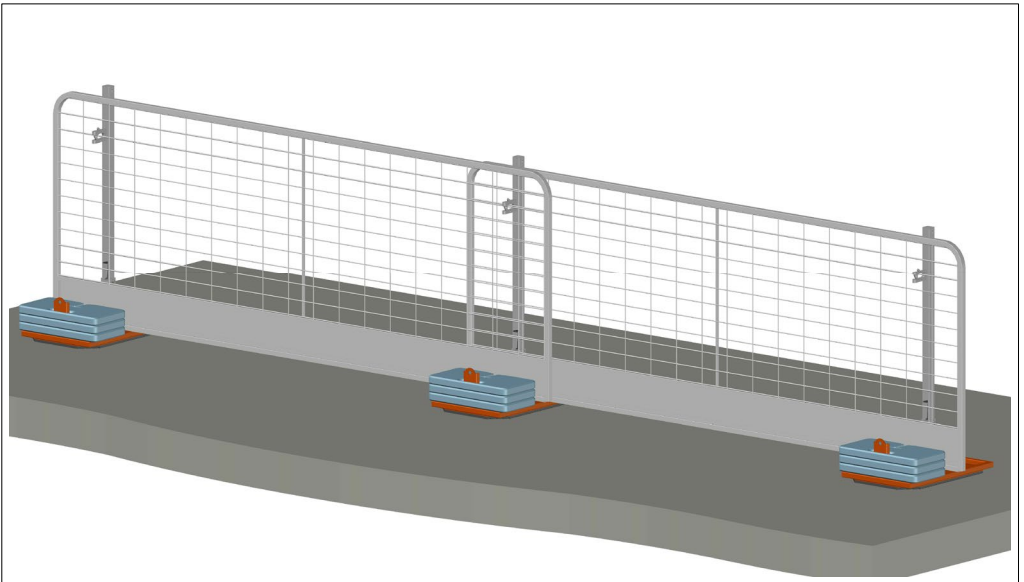


STEP 4: ONCE THE DPS HAS BEEN SECURED, RAPID PANELS CAN BE INSTALLED. SEE PANEL INSTALLATION GUIDE.

FREE-STANDING FOOTPLATE INSTALL



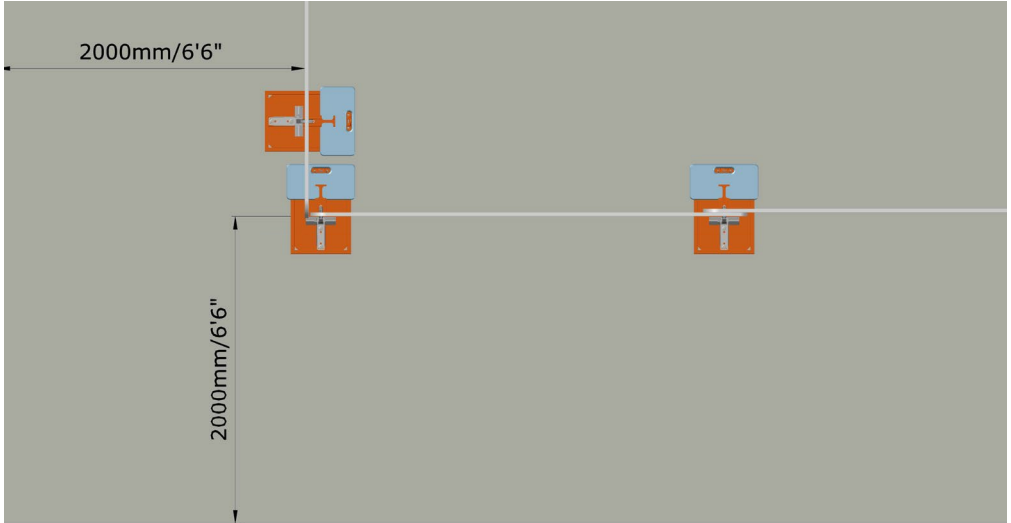
STEP 5: LIFT THE HINGED BRACKET SO THAT THE 55lb/25kg BALLAST WEIGHTS CAN BE ADDED AS SHOWN ABOVE.



ADDITIONAL: A MINIMUM OF 3 x 55lb/25kg PLATES (TOTAL 165LBS/75kg) MUST BE ADDED TO EACH FREESTANDING BASE TO COMPLY WITH BS EN 13374: CLASS A & OSHA - 1926.502

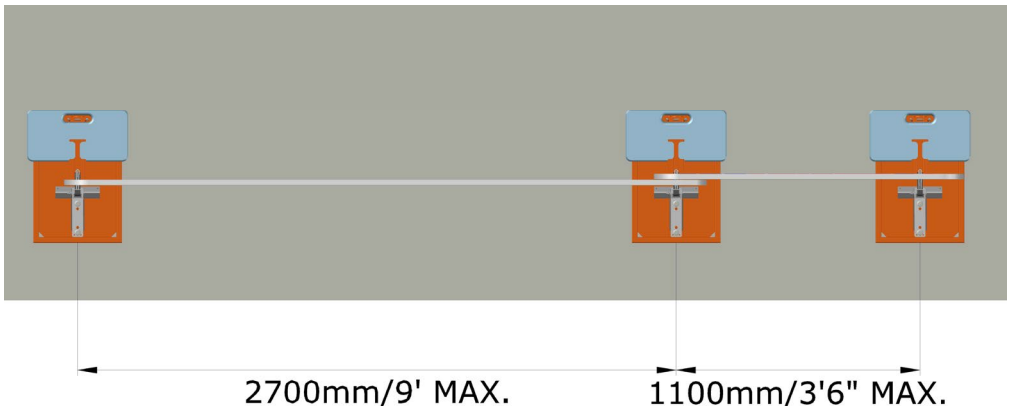
DISTANCE FROM EDGE

RAPID-EPS RECOMMENDS THAT ANY FREE-STANDING EDGE PROTECTION SHOULD BE SET A MINIMUM OF 2000mm/6'6" FROM ANY EDGE.



FREE-STANDING FOOTPLATE SPACING

FOOTPLATES SHOULD BE SET OUT AT NO MORE THAN 1100mm/3'6" CENTERS FOR HALF PANELS AND 2700mm/9' CENTERS FOR FULL PANELS.



IMPORTANT: DISASSEMBLY PROCESS MUST FOLLOW THE INSTRUCTIONS IN REVERSE ORDER. IMPROPER INSTALLATION OR REMOVAL COULD RESULT IN SERIOUS INJURY OR DEATH.