

DUAL PURPOSE STAND TIMBER INSTALLATION GUIDE

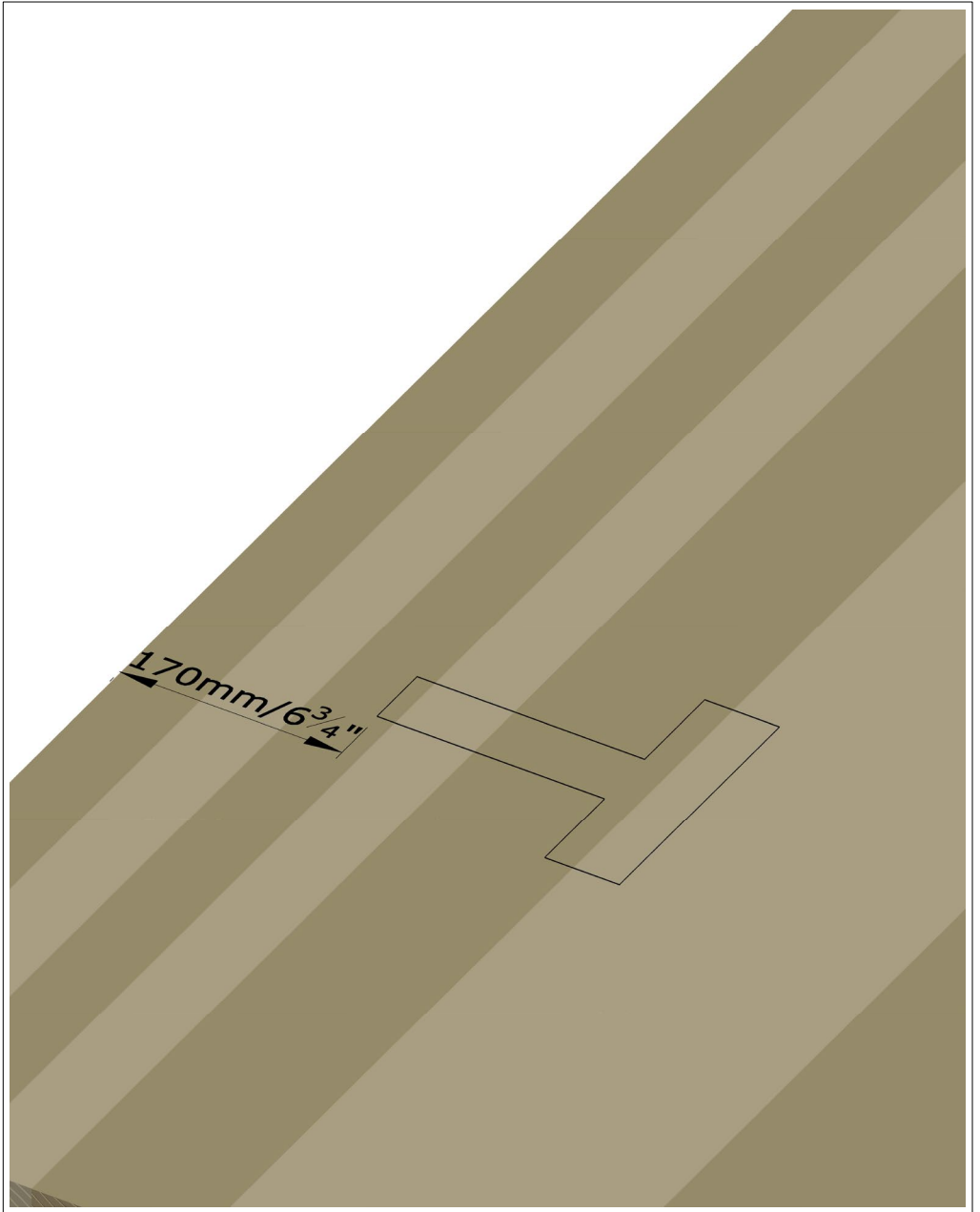


RAPID-EPSS
RAPID-Edge Protection Systems Ltd.

T: 0113 252 8883 | F: 0113 307 4990 | W: rapideps.com
UNIT D TREEFIELD INDUSTRIAL ESTATE, GELDERD ROAD, GILDERSOME, LEEDS, LS27 7JU



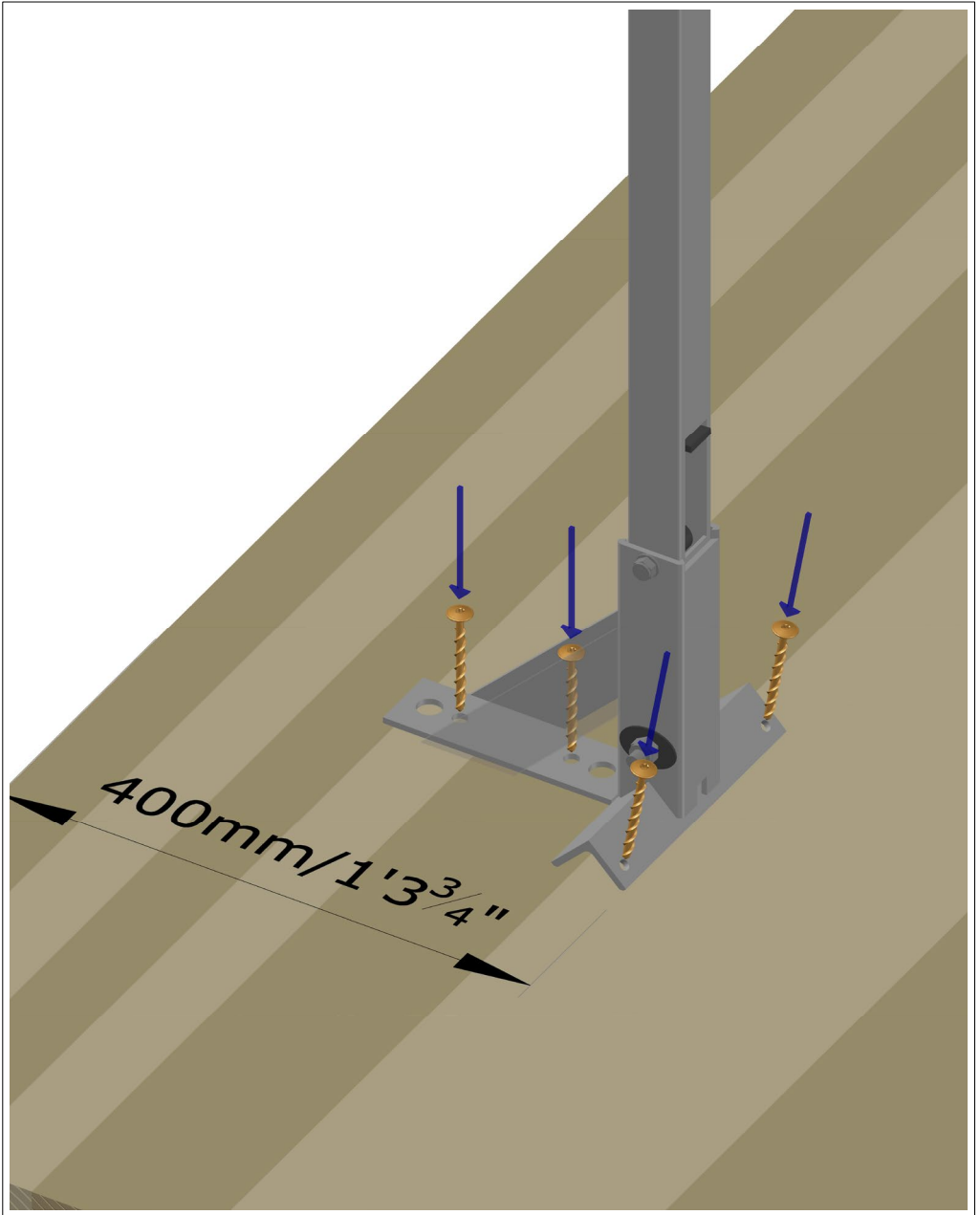
DUAL PURPOSE STAND: TIMBER



CROSS LAMINATED TIMBER (CLT) - STEP 1:

PLACE DUAL PURPOSE STAND AT LEAST 170mm/ 6³/₄" BACK FROM THE EDGE OF THE CLT SLAB.

IMPORTANT: DISASSEMBLY PROCESS MUST FOLLOW THE INSTRUCTIONS IN REVERSE ORDER. IMPROPER INSTALLATION OR REMOVAL COULD RESULT IN SERIOUS INJURY OR DEATH.



CROSS LAMINATED TIMBER (CLT) - STEP 2:

SCREW 4NO. $\varnothing 8 \times 80\text{mm}/3\frac{1}{8}"$ HECO-TOPIX WOOD SCREWS THROUGH THE SMALLER HOLES.

