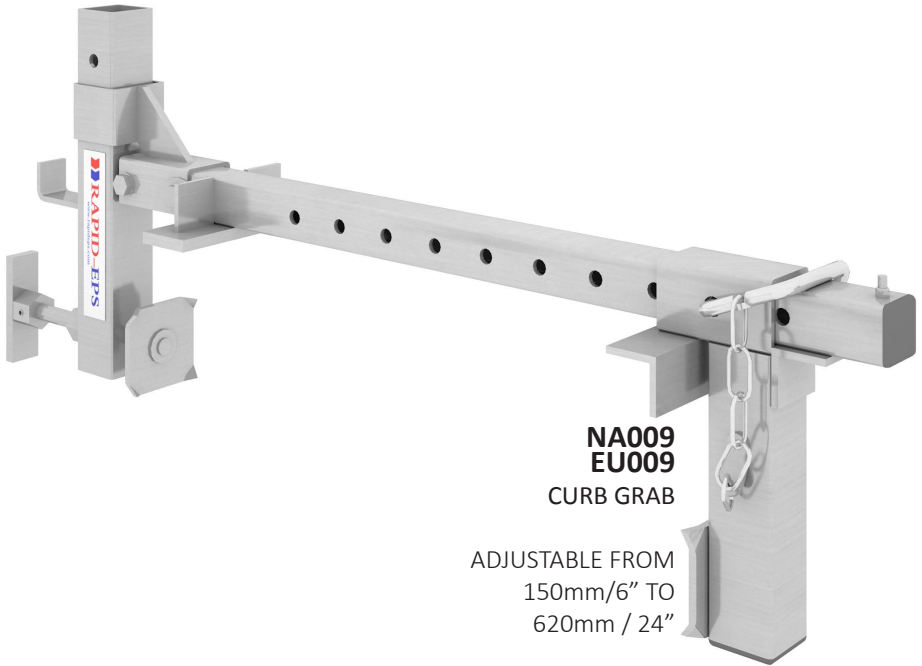


# CURB GRAB INSTALLATION GUIDE



**NA009  
EU009**  
CURB GRAB

ADJUSTABLE FROM  
150mm/6" TO  
620mm / 24"

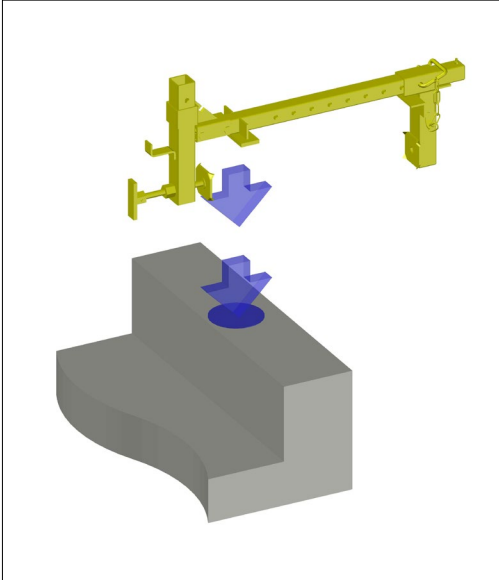


**RAPID-EPSS**  
**RAPID-Edge Protection Systems Ltd.**

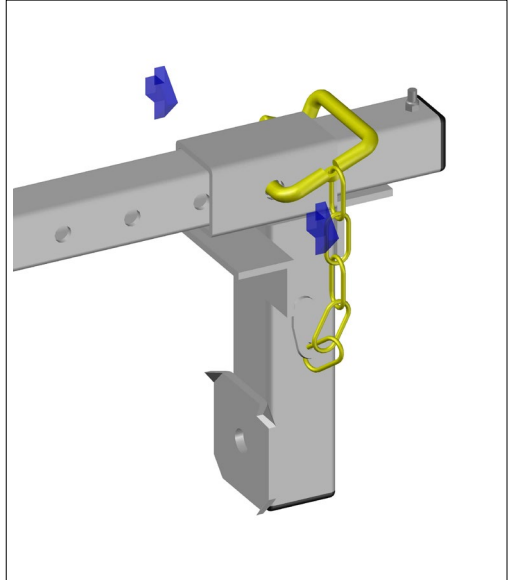
T: 0113 252 8883 | F: 0113 307 4990 | W: [rapideps.com](http://rapideps.com)  
UNIT D TREEFIELD INDUSTRIAL ESTATE, GELDERD ROAD, GILDERSOME, LEEDS, LS27 7JU



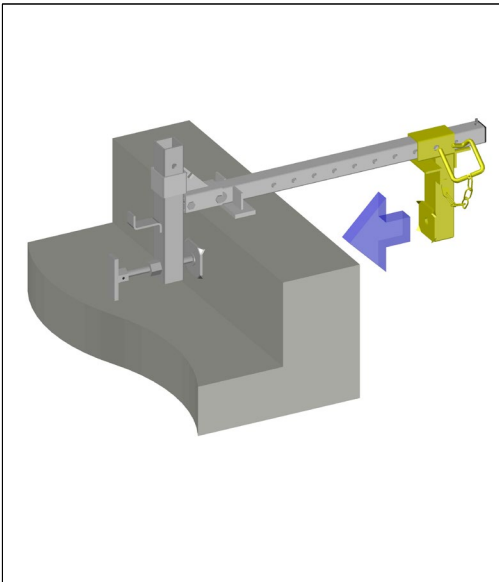
# CURB GRAB INSTALLATION



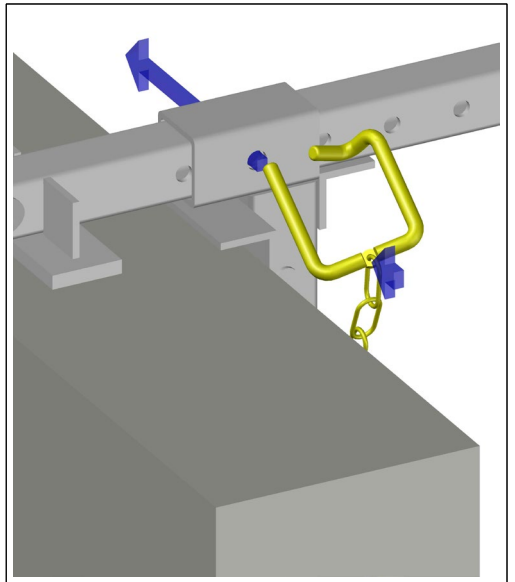
**STEP 1:**  
PLACE FULLY EXTENDED CURB GRAB OVER 'CURB'.



**STEP 2:**  
REMOVE THE RAPID PIN.

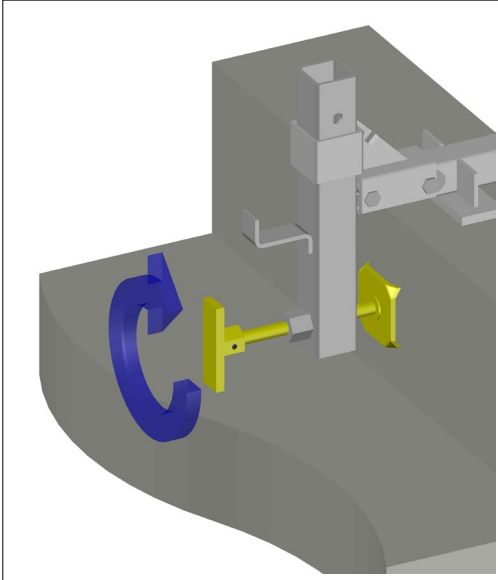


**STEP 3:**  
MOVE CLAMP FOOT INTO POSITION  
NEAREST THE 'CURB'.

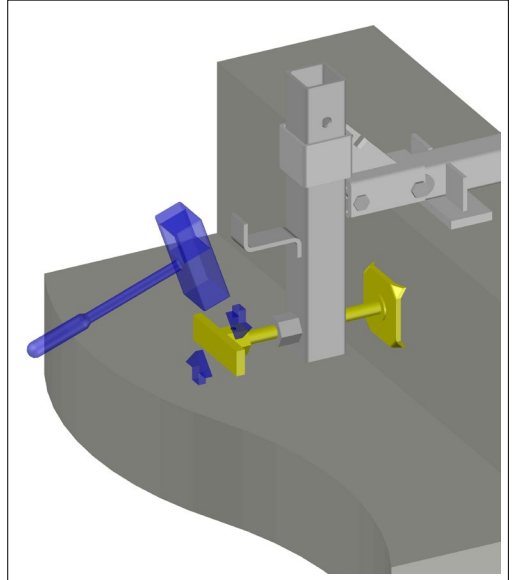


**STEP 4:**  
INSERT RAPID PIN.

**IMPORTANT:** DISASSEMBLY PROCESS MUST FOLLOW THE INSTRUCTIONS IN REVERSE ORDER. IMPROPER INSTALLATION OR REMOVAL COULD RESULT IN SERIOUS INJURY OR DEATH.



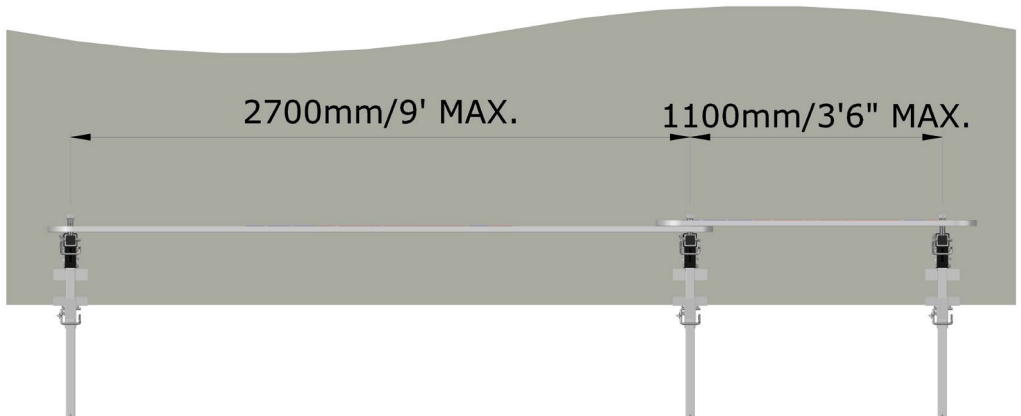
**STEP 5:**  
SCREW CLAMP TIGHT AGAINST 'CURB'.



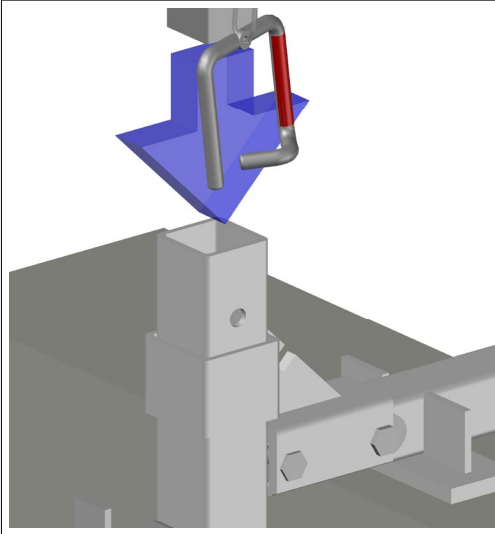
**STEP 6:**  
ENSURE CLAMP IS TIGHT BY STRIKING ONCE WITH HAMMER.

## CURB GRAB SPACING

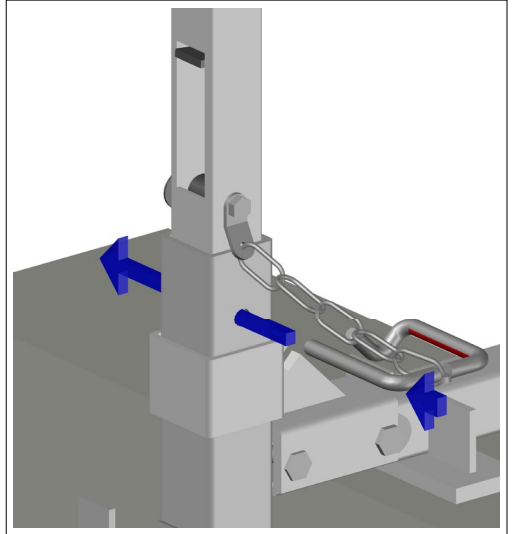
CURB GRAB BRACKETS SHOULD BE SET OUT AT NO MORE THAN 1100mm/3'6" CENTERS FOR HALF PANELS AND 2700mm/9' CENTERS FOR FULL PANELS.



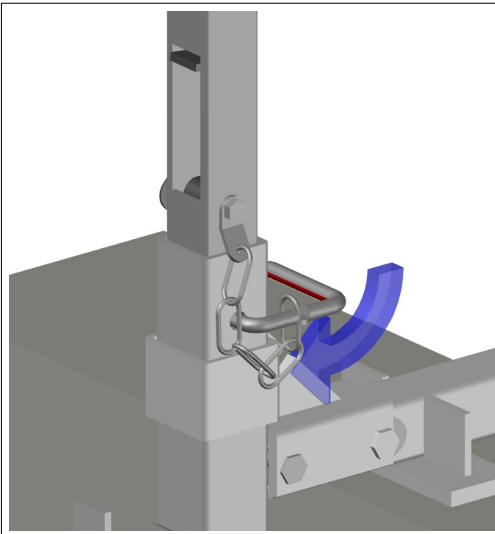
# STANDARD SUPPORT POST INSTALL



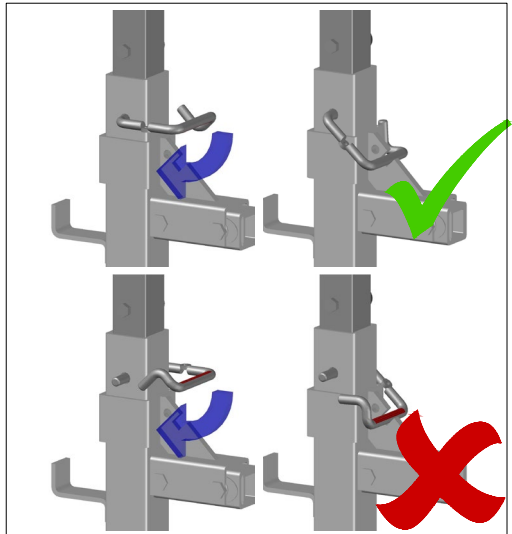
**STEP 1:**  
PLACE POST IN CURB GRAB SOCKET.



**STEP 2:**  
PUSH RAPID PIN THROUGH CURB GRAB SOCKET & POST.



**STEP 3:**  
ROTATE RAPID PIN INTO LOCKED POSITION.



**IMPORTANT NOTE:**  
THE RAPID PIN HAS A RED "LOCK" STICKER. THIS STICKER SHOULD BE HIDDEN WHEN PIN IS CORRECTLY INSTALLED.

**IMPORTANT:** DISASSEMBLY PROCESS MUST FOLLOW THE INSTRUCTIONS IN REVERSE ORDER. IMPROPER INSTALLATION OR REMOVAL COULD RESULT IN SERIOUS INJURY OR DEATH.