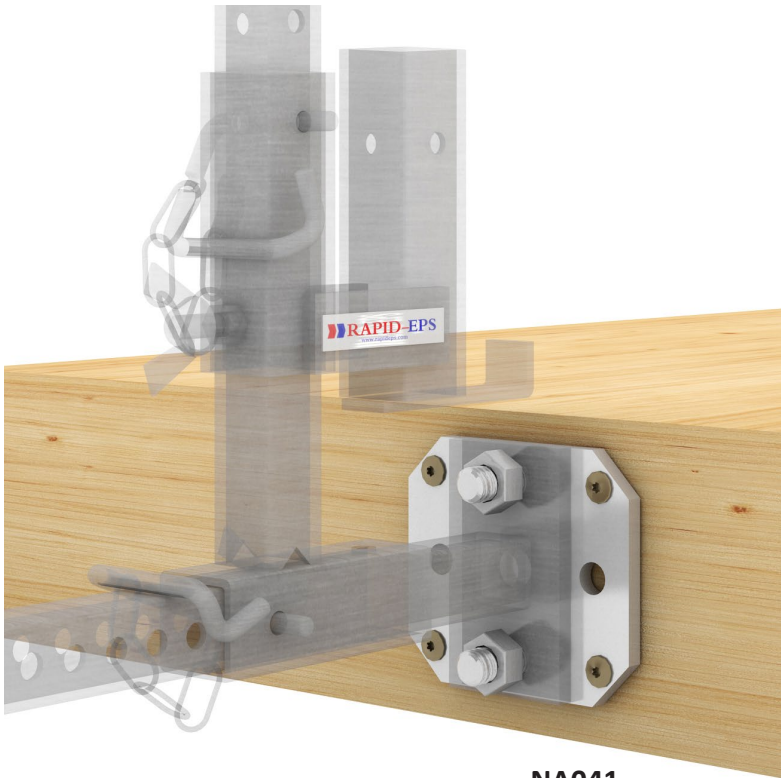


# ADAPTER FACEPLATE TIMBER INSTALLATION GUIDE



NA041  
EU041  
ADAPTER FACEPLATE

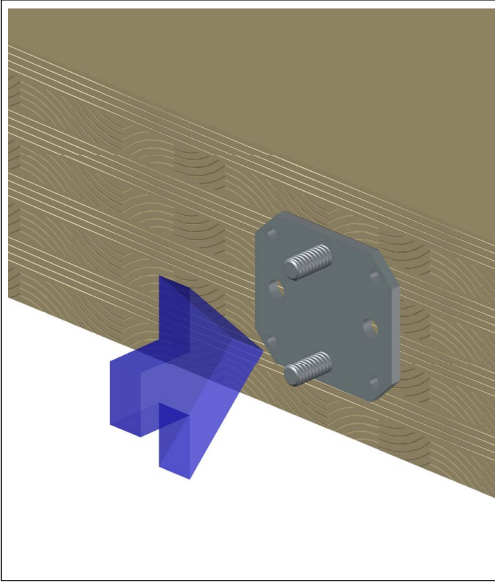


**RAPID-EPS**  
RAPID-Edge Protection Systems Ltd.

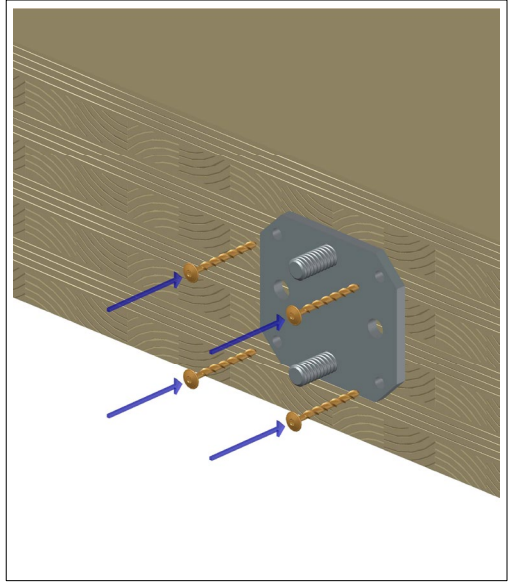
T: 0113 252 8883 | F: 0113 307 4990 | W: [rapideps.com](http://rapideps.com)  
UNIT D TREEFIELD INDUSTRIAL ESTATE, GELDERD ROAD, GILDERSOME, LEEDS, LS27 7JU



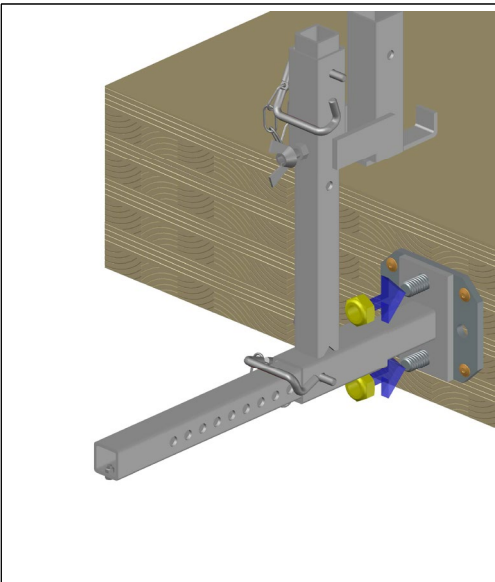
# ADAPTER FACEPLATE: TIMBER



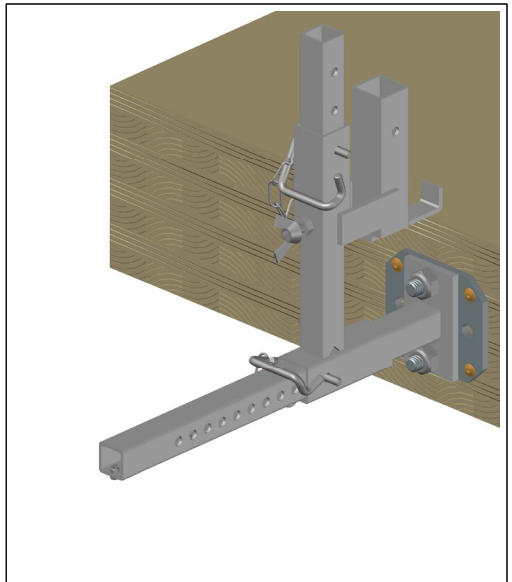
**STEP 1:** HOLD ADAPTER FACEPLATE IN PLACE AGAINST CLT EDGE.



**STEP 2:** SCREW 4 NO.  $\varnothing 8\text{MM}/\frac{1}{4}"$  X  $140\text{MM}/5\frac{1}{2}"$  HECO-TOPIX WOOD SCREWS.



**STEP 3:** PLACE WEBFIX BRACKET ON FACEPLATE AND SECURE USING NUTS.



**STEP 4:** REMOVE RAPID PINS AND LOOSEN WING NUTS TO INDEX WEBFIX BRACKET.