

RAPID-EDGE

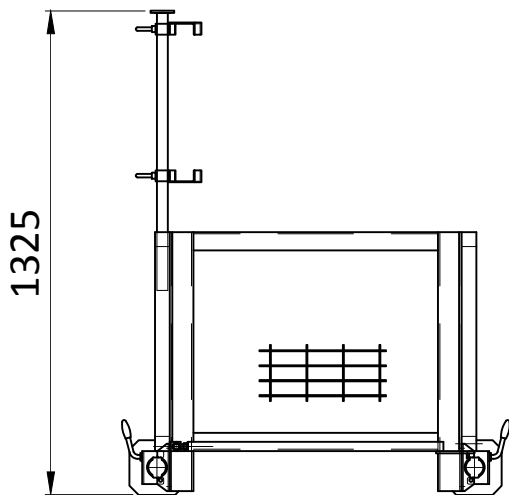
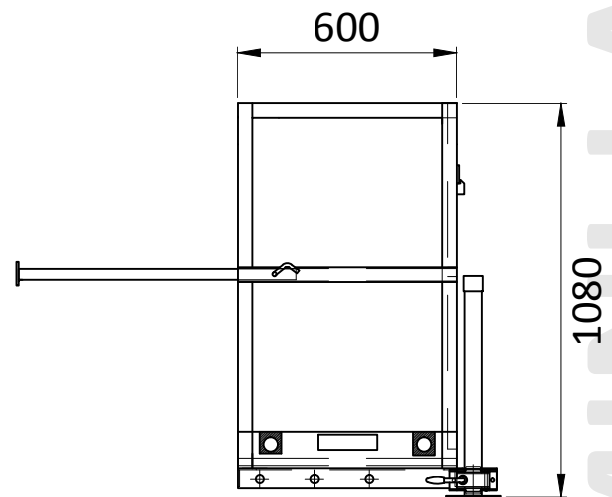
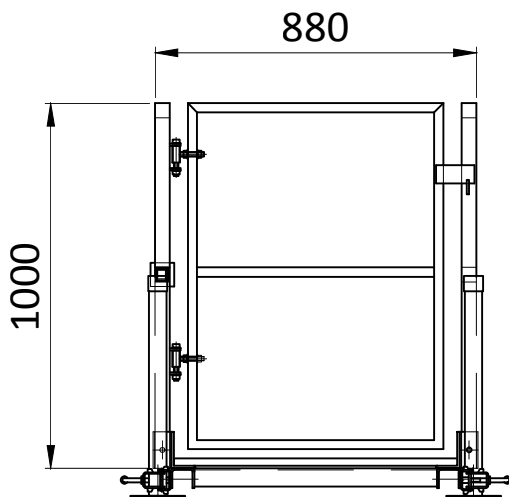
PRODUCT DATA SHEET FOR **MINI LADDERSAFE PLATFORM**

PRODUCT CODE
WEIGHT

TG005
80kg

FINISH

PLATFORM FRAME - POWDER COATED RED
PLATFORM BASE - POWDER COATED BLACK
PLATFORM LEGS - GALVANISED



RAPID-Edge Protection Systems Ltd.

T: 0113 252 8883 | F: 0113 307 4990 | W: rapideps.com
UNIT D TREEFIELD INDUSTRIAL ESTATE, GELDERD ROAD, GILDERSOME, LEEDS, LS27 7JU

2014 COPYRIGHT IN THIS DRAWING BELONGS TO RAPID EDGE PROTECTION SYSTEMS LTD. AND SHOULD NOT BE COPIED OR SHOWN TO THIRD PARTIES WITHOUT THE EXPRESS PERMISSION OF RAPID EDGE PROTECTION SYSTEMS LTD.

 epf

TG005 - MINI LADDERSAFE