

RAPID-EP S

PRODUCT DATA SHEET FOR FREE STANDING FOOTPLATE

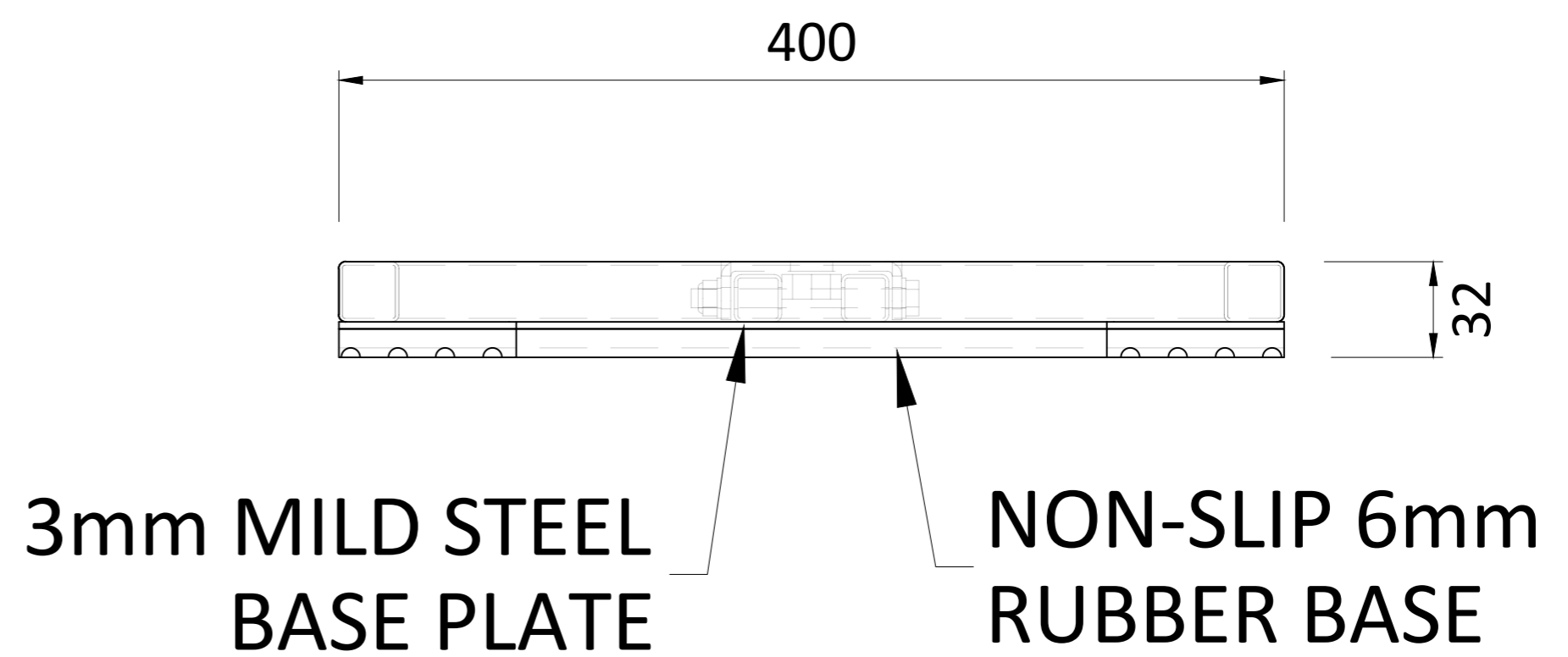
PRODUCT CODE **EU135**
WEIGHT **16KG**
WIDTH **400mm**
LENGTH **600mm**

MATERIAL

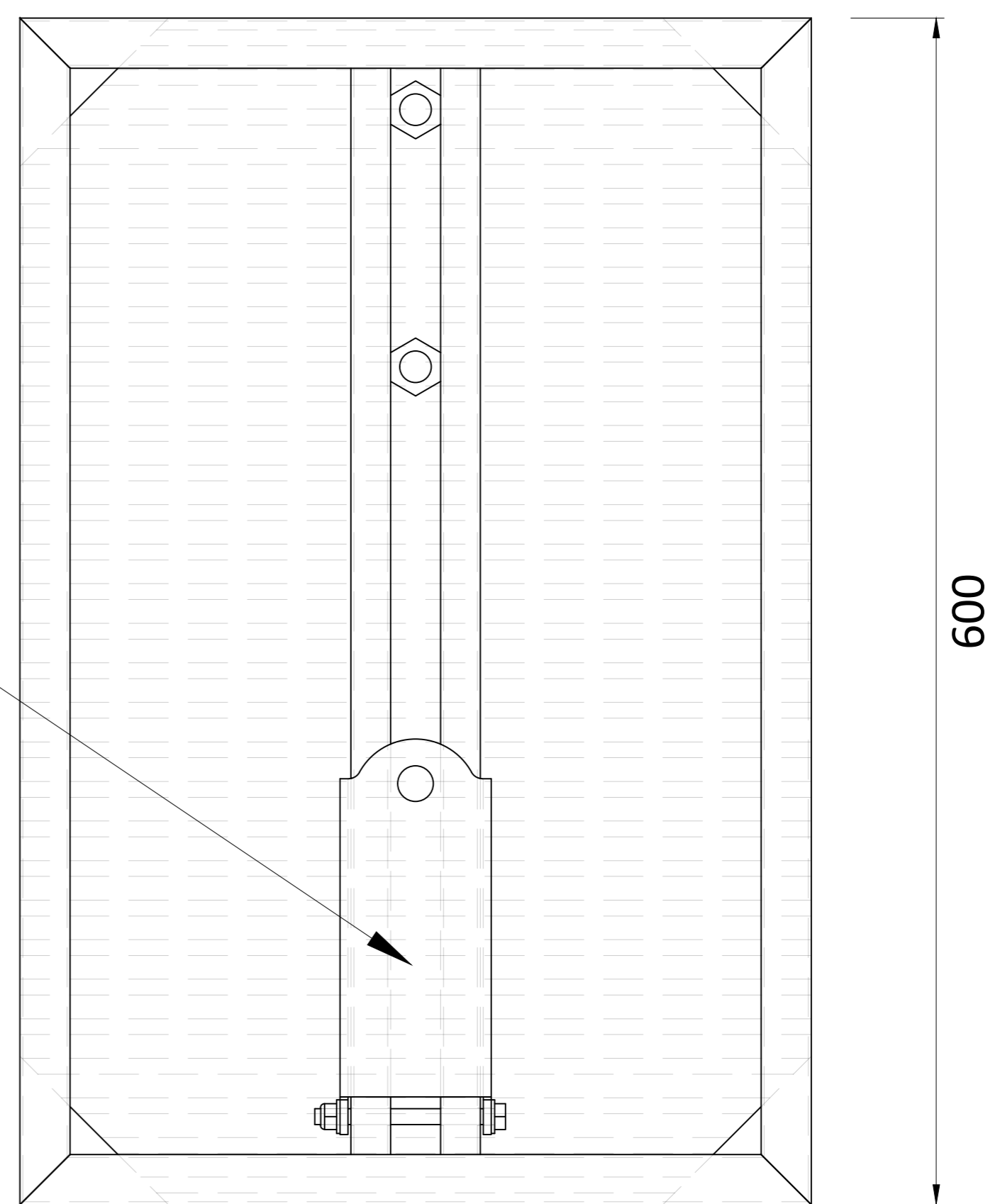
25.4x25.4x1.5mm STEEL TUBE FRAME
3mm BASE PLATE

FINISH

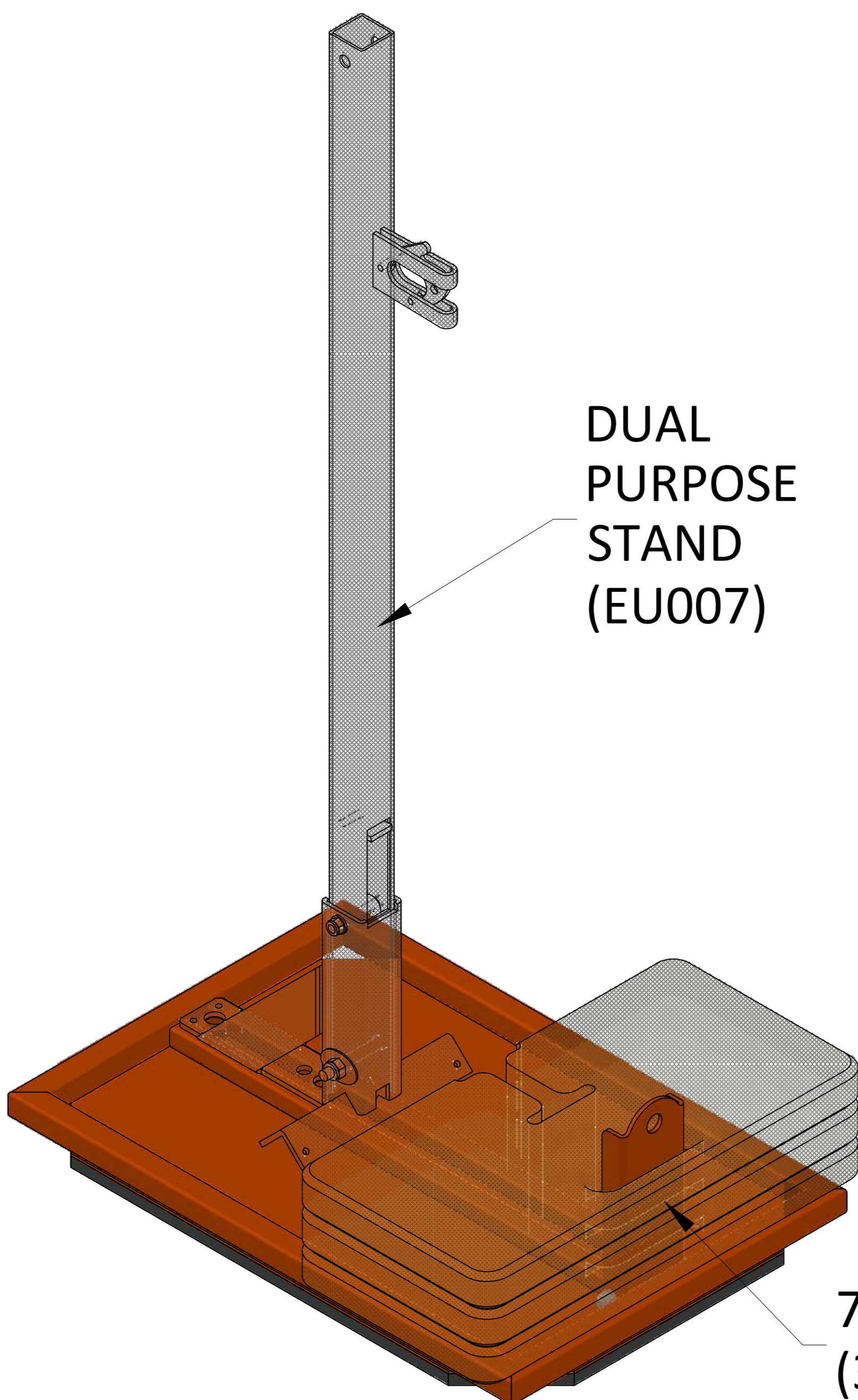
POWDER COATED ORANGE.



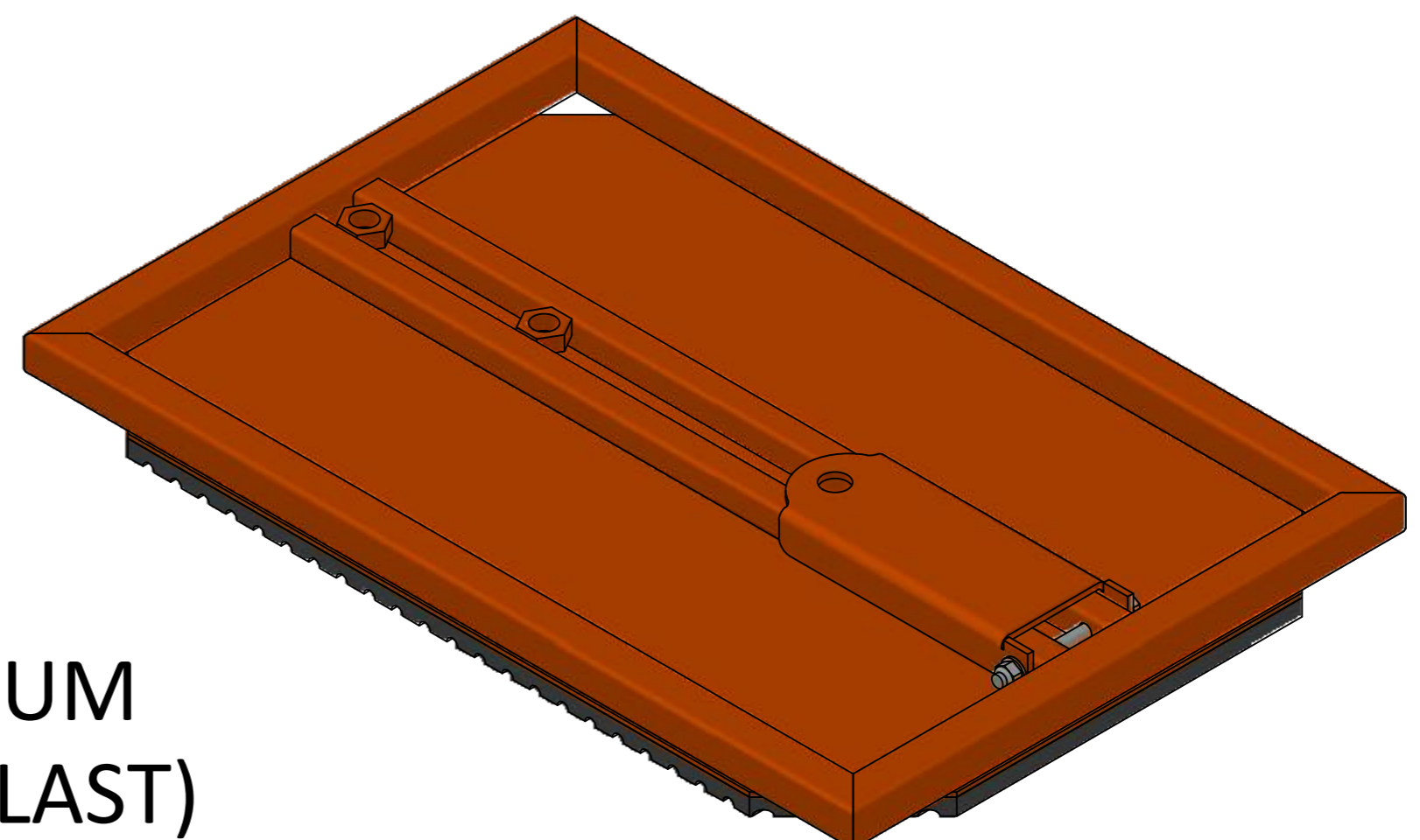
HINGED
BALLAST
SUPPORT



DUAL
PURPOSE
STAND
(EU007)



75KG MINIMUM
(3x25KG BALLAST)



RAPID-Edge Protection Systems Ltd.

T: 0113 252 8883 | F: 0113 307 4990 | W: rapideps.com
UNIT D TREEFIELD INDUSTRIAL ESTATE, GELDERD ROAD, GILDERSOME, LEEDS, LS27 7JU

2014 COPYRIGHT IN THIS DRAWING BELONGS TO RAPID EDGE PROTECTION SYSTEMS LTD. AND SHOULD NOT BE COPIED OR SHOWN TO THIRD PARTIES WITHOUT THE EXPRESS PERMISSION OF RAPID EDGE PROTECTION SYSTEMS LTD.



**MADE IN
BRITAIN**

EU135 - FREE STANDING