

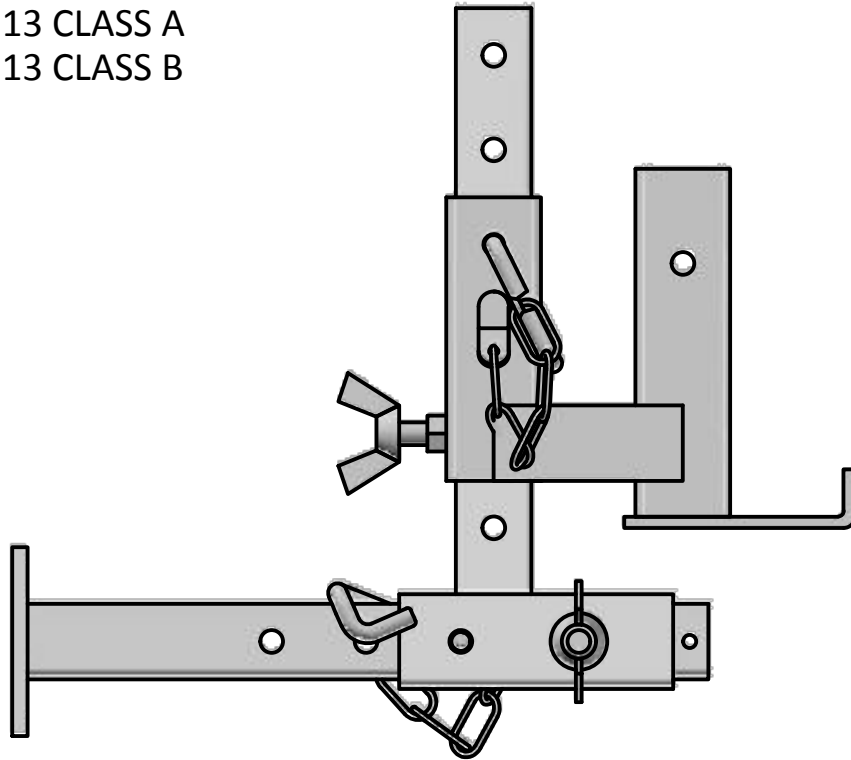
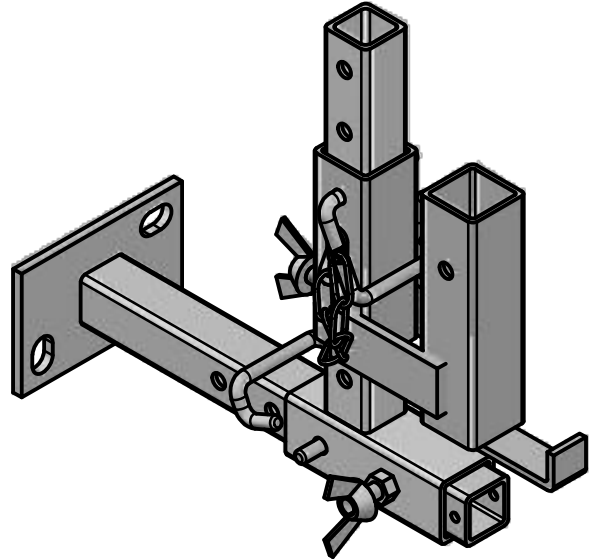
# **RAPID-EP**S

## PRODUCT DATA SHEET FOR **ADJUSTABLE PARAPET BRACKET**

PRODUCT CODE	<b>EU038</b>
WEIGHT	<b>7kg</b>
VERTICAL ADJUSTMENT	<b>150mm</b>
HORIZONTAL ADJUSTMENT	<b>100mm</b>

**FINISH**  
GALVANISED  
BOLT ON PARTS ZINC PLATE AND  
PASSIVATE

**COMPLIES WITH**  
BS EN 13374 2013 CLASS A  
BS EN 13374 2013 CLASS B



**RAPID-Edge Protection Systems Ltd.**

T: 0113 252 8883 | F: 0113 307 4990 | W: [rapideps.com](http://rapideps.com)  
UNIT D TREEFIELD INDUSTRIAL ESTATE, GELDERD ROAD, GILDERSOME, LEEDS, LS27 7JU

2014 COPYRIGHT IN THIS DRAWING BELONGS TO RAPID EDGE PROTECTION SYSTEMS LTD. AND SHOULD NOT BE COPIED OR SHOWN TO THIRD PARTIES WITHOUT THE EXPRESS PERMISSION OF RAPID EDGE PROTECTION SYSTEMS LTD.



**MADE IN  
BRITAIN**

EU038 - ADJUSTABLE PARAPET