

PRODUCT DATA SHEET FOR **ADJUSTABLE STAIR RAIL CONNECTOR**

PRODUCT CODE	EU034
WEIGHT	4kgs
CLOSED WIDTH	190mm
MAX. WIDTH	335mm
HANDRAIL SPACING	470mm

MATERIAL

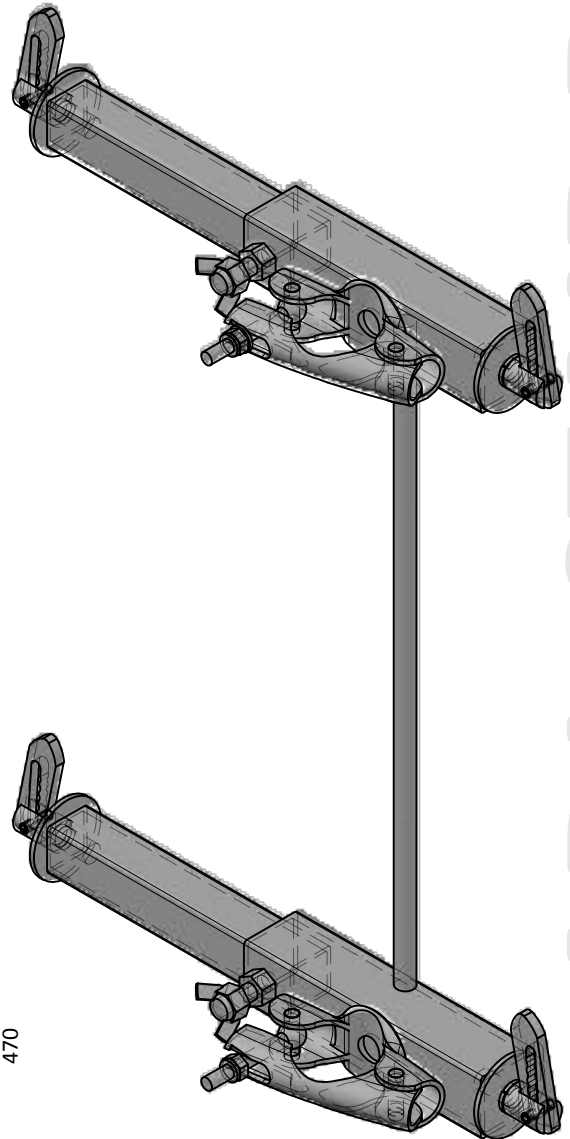
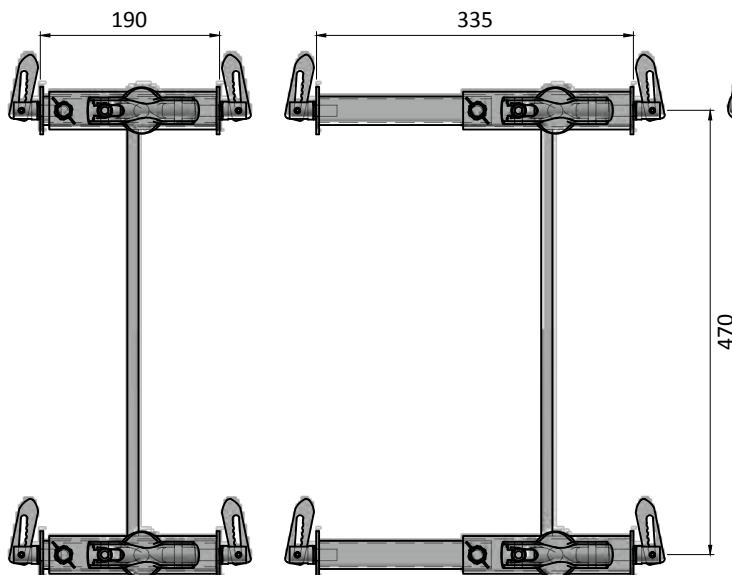
50mm DIAMETER STEEL TUBE

FINISH

ZINC PLATE AND CLEAR PASSIVATE

COMPLIES WITH

BS EN 13374 CLASS A



RAPID-Edge Protection Systems Ltd.

T: 0113 252 8883 | F: 0113 307 4990 | W: rapideps.com
UNIT D TREEFIELD INDUSTRIAL ESTATE, GELDERD ROAD, GILDERSOME, LEEDS, LS27 7JU

2014 COPYRIGHT IN THIS DRAWING BELONGS TO RAPID EDGE PROTECTION SYSTEMS LTD. AND SHOULD NOT BE COPIED OR SHOWN TO THIRD PARTIES WITHOUT THE EXPRESS PERMISSION OF RAPID EDGE PROTECTION SYSTEMS LTD.



**MADE IN
BRITAIN**