

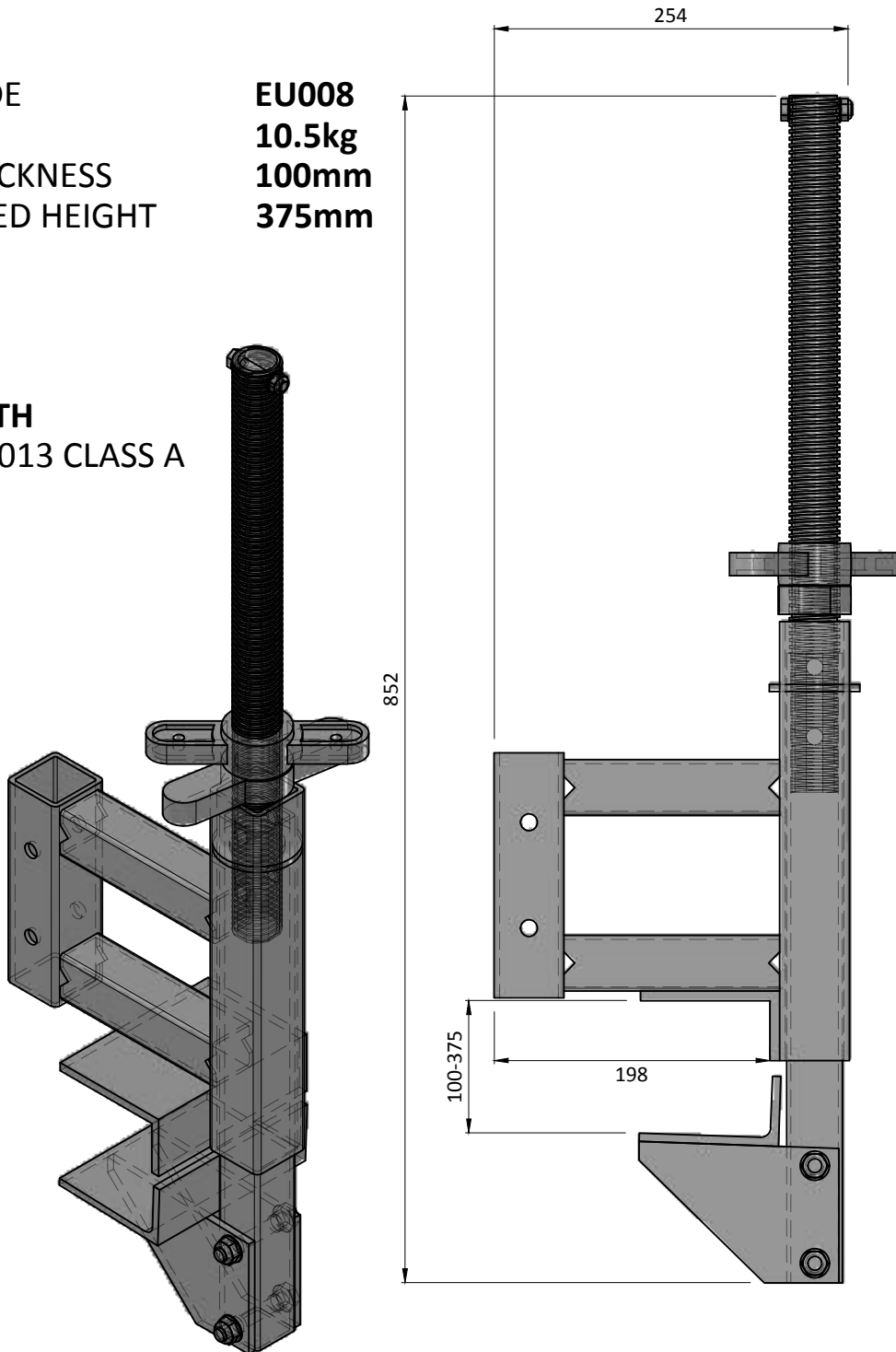
# **RAPID-EDGE**

## PRODUCT DATA SHEET FOR **SLAB GRAB**

PRODUCT CODE	<b>EU008</b>
WEIGHT	<b>10.5kg</b>
MIN. SLAB THICKNESS	<b>100mm</b>
MAX. EXTENDED HEIGHT	<b>375mm</b>

**FINISH**  
GALVANISED

**COMPLIES WITH**  
BS EN 13374 2013 CLASS A



**RAPID-Edge Protection Systems Ltd.**

T: 0113 252 8883 | F: 0113 307 4990 | W: [rapideps.com](http://rapideps.com)  
UNIT D TREEFIELD INDUSTRIAL ESTATE, GELDERD ROAD, GILDERSOME, LEEDS, LS27 7JU

2014 COPYRIGHT IN THIS DRAWING BELONGS TO RAPID EDGE PROTECTION SYSTEMS LTD. AND SHOULD NOT BE COPIED OR SHOWN TO THIRD PARTIES WITHOUT THE EXPRESS PERMISSION OF RAPID EDGE PROTECTION SYSTEMS LTD.



**MADE IN  
BRITAIN**

EU008 - SLAB GRAB