

RAPID-EP S

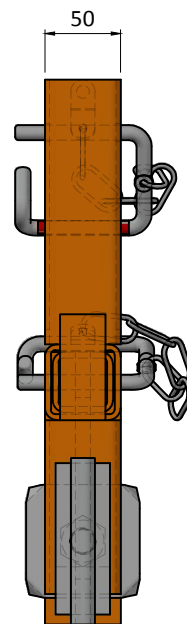
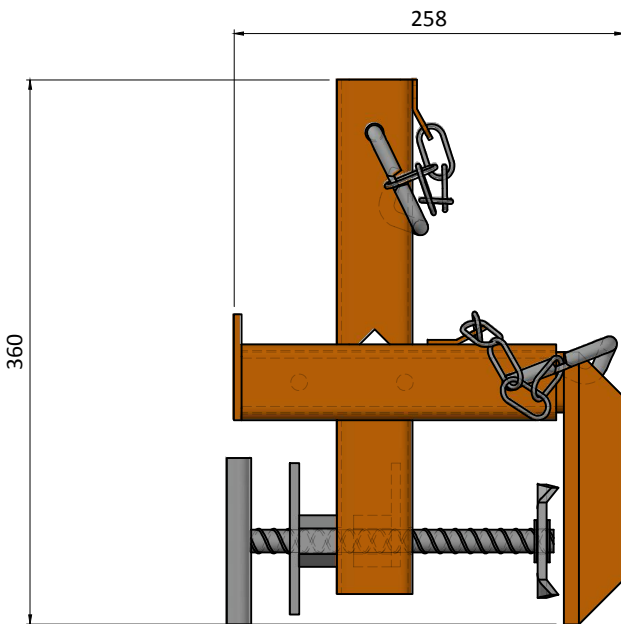
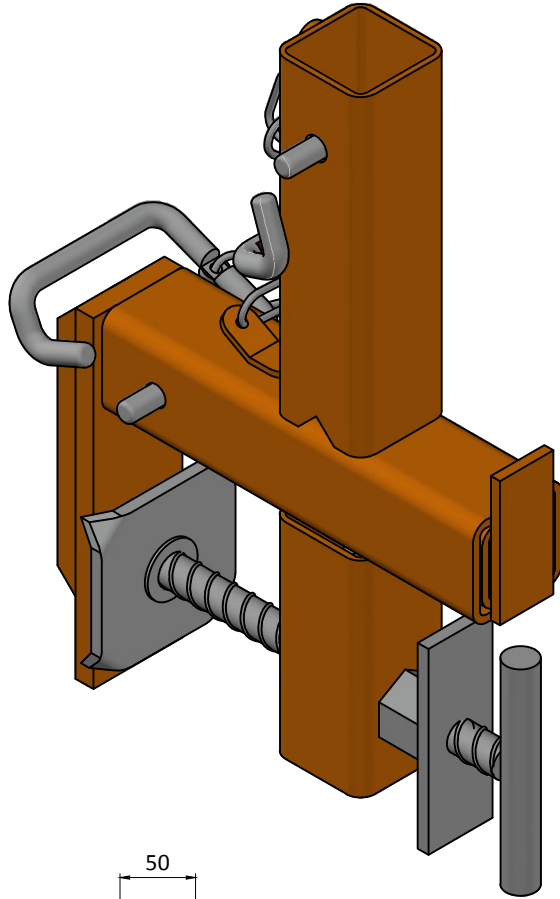
PRODUCT DATA SHEET FOR TELESCOPIC TRENCH CLAMP

PRODUCT CODE	TG103
WEIGHT	6kg
HEIGHT	360mm
LENGTH	260-400mm
ADJUSTMENT	240mm
INSTALLATION	@2.7m ctr

FINISH
MANUFACTURED FROM 50 x 50mm
STEEL BOX SECTION.

POWDER COATED.

COMPLIES WITH
BS EN 13374 2013 CLASS A



RAPID-Edge Protection Systems Ltd.

T: 0113 252 8883 | F: 0113 307 4990 | W: rapideps.com
UNIT D TREEFIELD INDUSTRIAL ESTATE, GELDERD ROAD, GILDERSOME, LEEDS, LS27 7JU

2014 COPYRIGHT IN THIS DRAWING BELONGS TO RAPID EDGE PROTECTION SYSTEMS LTD. AND SHOULD NOT BE COPIED OR SHOWN TO THIRD PARTIES WITHOUT THE EXPRESS PERMISSION OF RAPID EDGE PROTECTION SYSTEMS LTD.



**MADE IN
BRITAIN**

TELESCOPIC TRENCH CLAMP