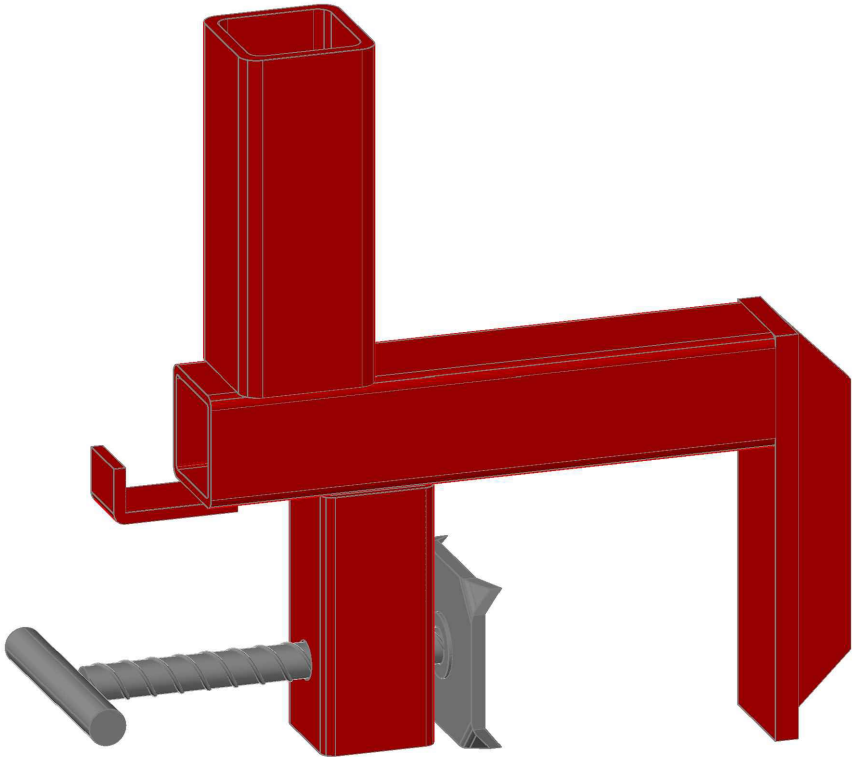


# BOX TRENCH CLAMP (TG003) INSTALLATION GUIDE



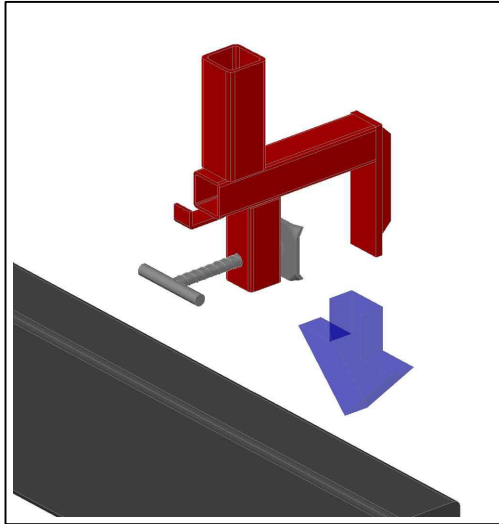
**RAPID-EPS**  
**RAPID-Edge Protection Systems Ltd.**

T: 0113 252 8883 | F: 0113 307 4990 | W: [rapideps.com](http://rapideps.com)  
UNIT D TREEFIELD INDUSTRIAL ESTATE, GELDERD ROAD, GILDERSOME, LEEDS, LS27 7JU

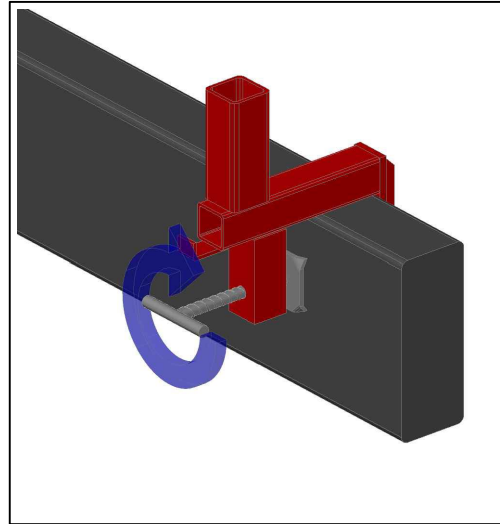


# TRENCH GUARD - BOX CLAMP INSTALL

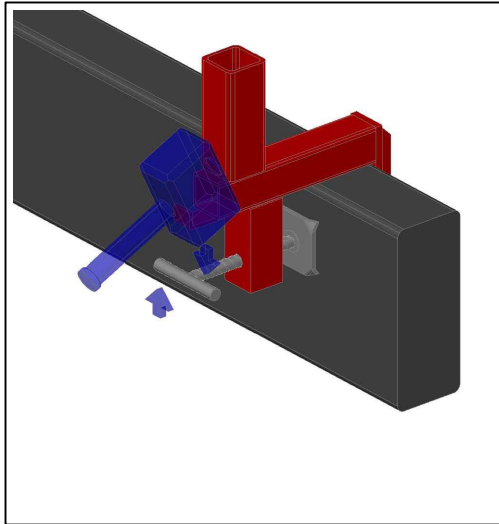
**IMPORTANT:** DISASSEMBLY PROCESS MUST FOLLOW THE INSTRUCTIONS IN REVERSE ORDER. IMPROPER INSTALLATION OR REMOVAL COULD RESULT IN SERIOUS INJURY OR DEATH.



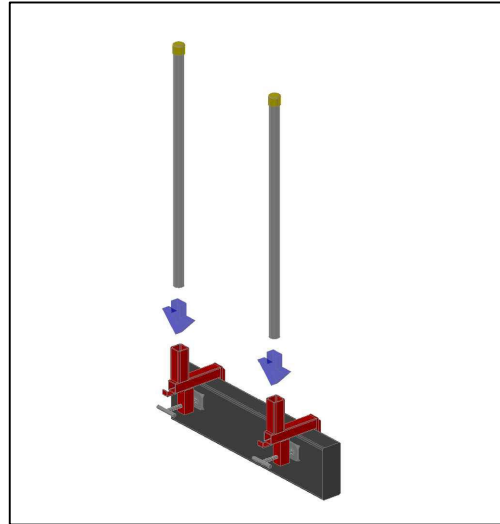
**STEP 1:**  
PLACE TRENCH GUARD BOX CLAMP OVER THE TRENCH BOX.



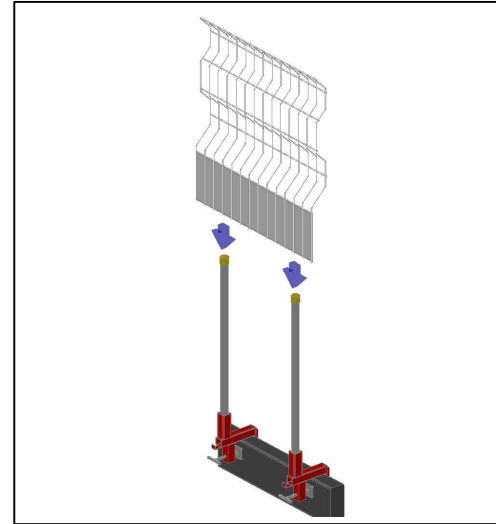
**STEP 2:**  
TIGHTEN BOX CLAMP ONTO TRENCH BOX.



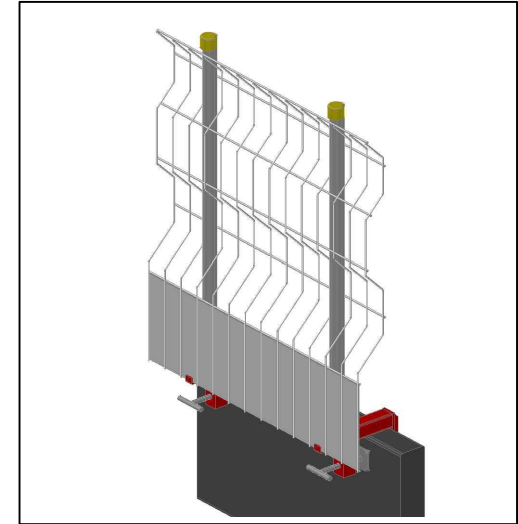
**STEP 3:**  
ENSURE THE CLAMP IS TIGHT.



**STEP 4:**  
INSERT TRENCH GUARD POSTS INTO THE BOX CLAMPS.



**STEP 5:**  
PLACE TRENCH GUARD PANEL OVER BOTH TRENCH GUARD POSTS.

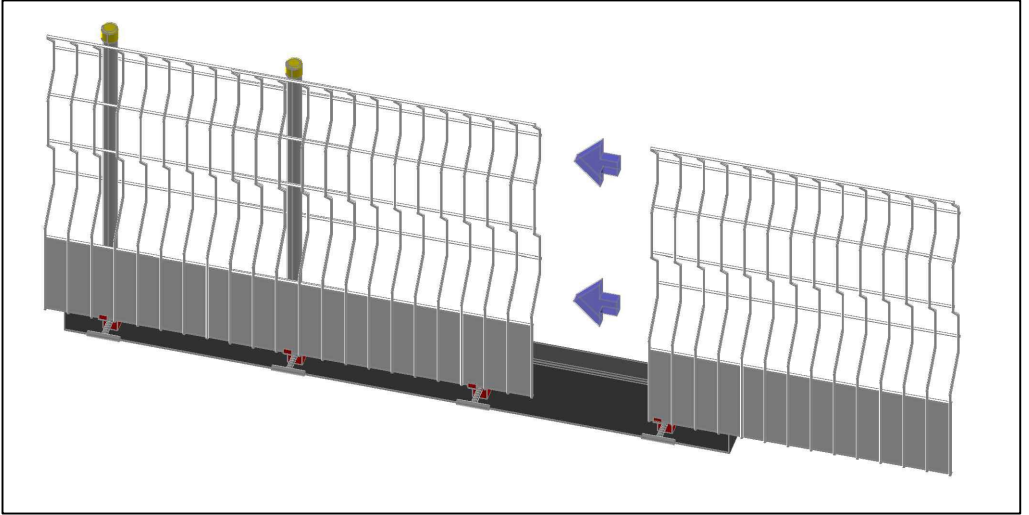


**STEP 6:**  
INSTALLATION COMPLETE.

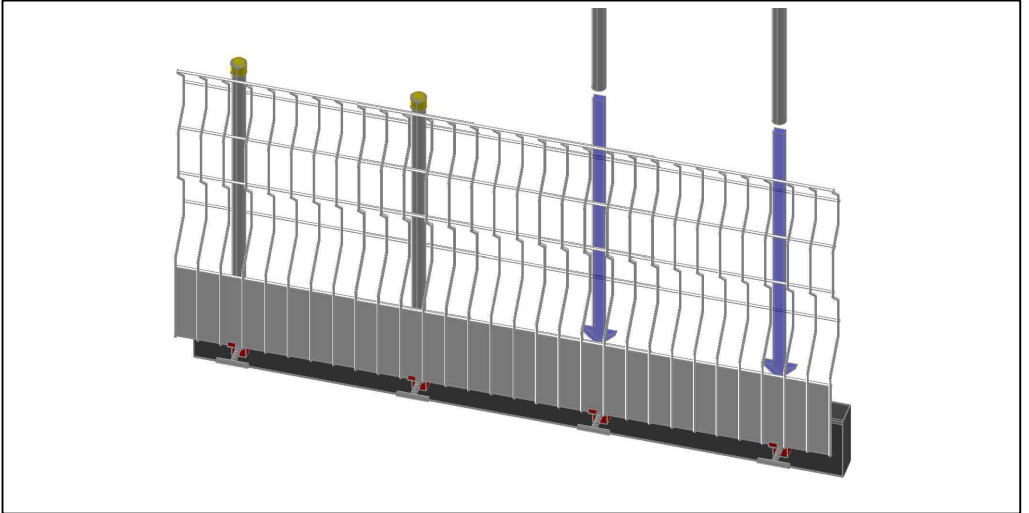


**CLAMP PLACEMENT:**  
ENSURE THAT THE BOX CLAMPS ARE SET AT MAXIMUM CENTERS OF 2640mm

# PANEL CONTINUATION



**STEP 1:**  
PLACE NEXT PANEL INTO POSITION.



**STEP 2:**  
PLACE POSTS THROUGH THE PANEL INTO THE TRENCH GUARD BOX CLAMPS.

**IMPORTANT:** DISASSEMBLY PROCESS MUST FOLLOW THE INSTRUCTIONS IN REVERSE ORDER.  
IMPROPER INSTALLATION OR REMOVAL COULD RESULT IN SERIOUS INJURY OR DEATH.